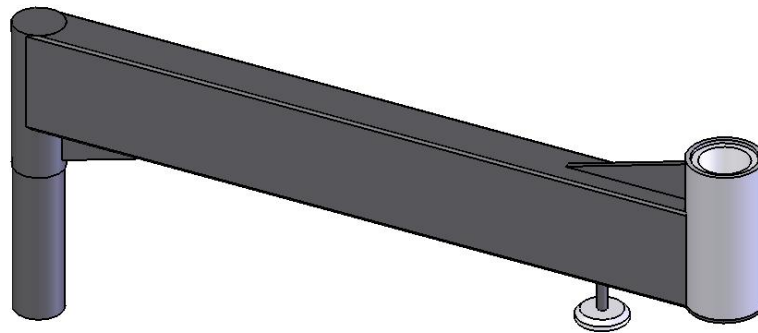




# Aqua Creek Products

The Total Solution for Pool and Spa Access



## EZ & POWER EZ EXTENSION ANCHOR INSTALLATION & OPERATING INSTRUCTIONS

### **- WARNING -**

#### **IMPORTANT SAFETY INSTRUCTIONS**

- 1. READ AND FOLLOW ALL INSTRUCTIONS. LIFT SAFETY CAN ONLY BE ENSURED IF THE LIFT IS INSTALLED AND OPERATED PROPERLY – ACCORDING TO THESE INSTRUCTIONS.**
- 2. TO REDUCE THE RISK OF INJURY, DO NOT PERMIT CHILDREN TO USE THIS PRODUCT UNLESS THEY ARE CLOSELY SUPERVISED AT ALL TIMES.**
- 3. DO NOT PERMIT CHILDREN TO PLAY ON OR AROUND THIS PRODUCT.**
- 4. NEVER APPLY DIRECT WATER PRESSURE TO THE ELECTRONIC COMPONENTS.**
- 5. SAVE A COPY OF THESE INSTRUCTIONS IN A SAFE AND EASILY ACCESSIBLE PLACE.**

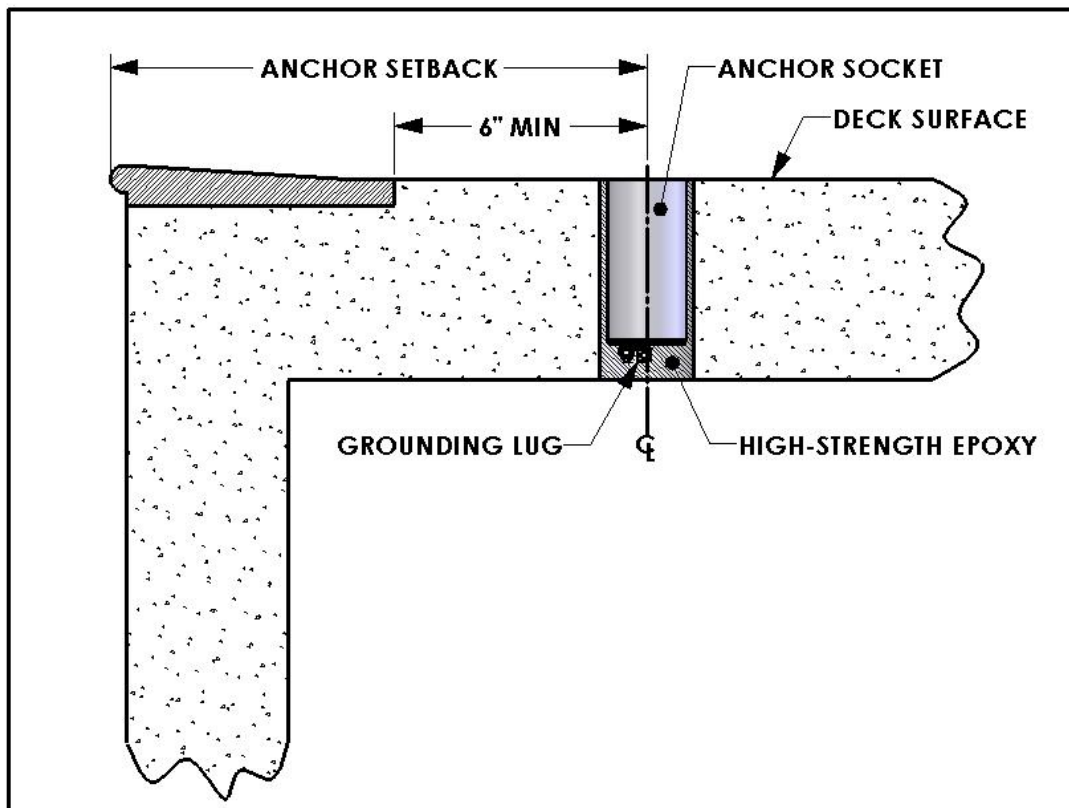
**AQUA CREEK PRODUCTS  
9889 GARRY MORE LANE  
MISSOULA, MT 59808  
1-888-687-3552  
FAX: 406-549-2602**

## EZ ANCHOR INSTALLATION:

The EZ Pool Lift anchor can be installed in an existing pool deck or when pouring a new deck.

### EXISTING DECK (RETROFIT) INSTRUCTIONS:

1. Locate the supplied anchor socket keeping care not to loose the protective cap.
2. The setback to the center of the anchor must be at least 6" from any control joint or edge of concrete slab. **FIGURE 1** below. The **ANCHOR SETBACK** must be no more than the length of the **EXTENSION ANCHOR** plus 20". In other words, if the **EXTENSION ANCHOR** is 24" (center to center) then the setback may be no more than  $24 + 20 = 44"$ .
3. Core drill at least a 3 1/8-inch diameter hole at the desired location for the lift and anchor socket. The hole will need to be at least 6 7/8 inches deep to allow for the grounding lug which protrudes from the bottom of the anchor.
4. Fill the hole 1/3 to 1/2 full with high strength epoxy or anchor cement. Press the anchor into the hole with a twisting motion down until it is flush and level with the deck surface. Clean off any excess epoxy/cement or add epoxy/cement until the hole is totally filled and there are no voids. Check the anchor for level and plumb.
5. Let cement/grout cure for 24 hours (or minimum manufacturer's recommendations) before using lift.



**FIGURE 1**

# EXTENSION ANCHOR OPERATING INSTRUCTIONS

To use the EZ/Power EZ Extension Anchor, first install it in the EZ Anchor as shown below. Adjust the PRESSURE FOOT so that it is in contact with the deck and the Extension Anchor is level. The Extension Anchor is normally positioned perpendicular (square) to the pool wall, and the anchor must be placed so that the EFFECTIVE SETBACK DISTANCE is no more than 20”.

**EFFECTIVE SETBACK DISTANCE = ANCHOR SETBACK – EXTENSION ANCHOR LENGTH**

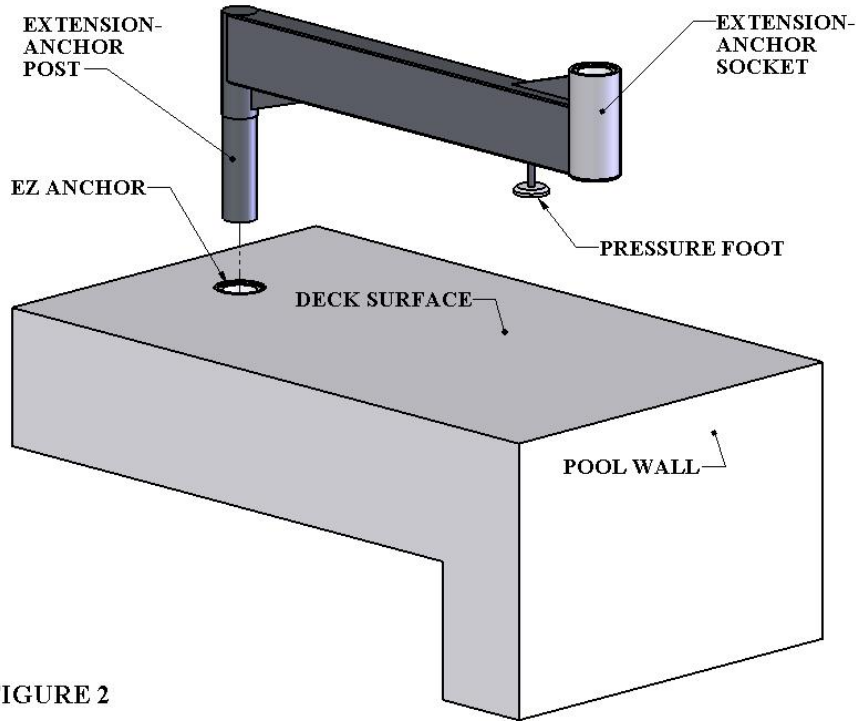


FIGURE 2

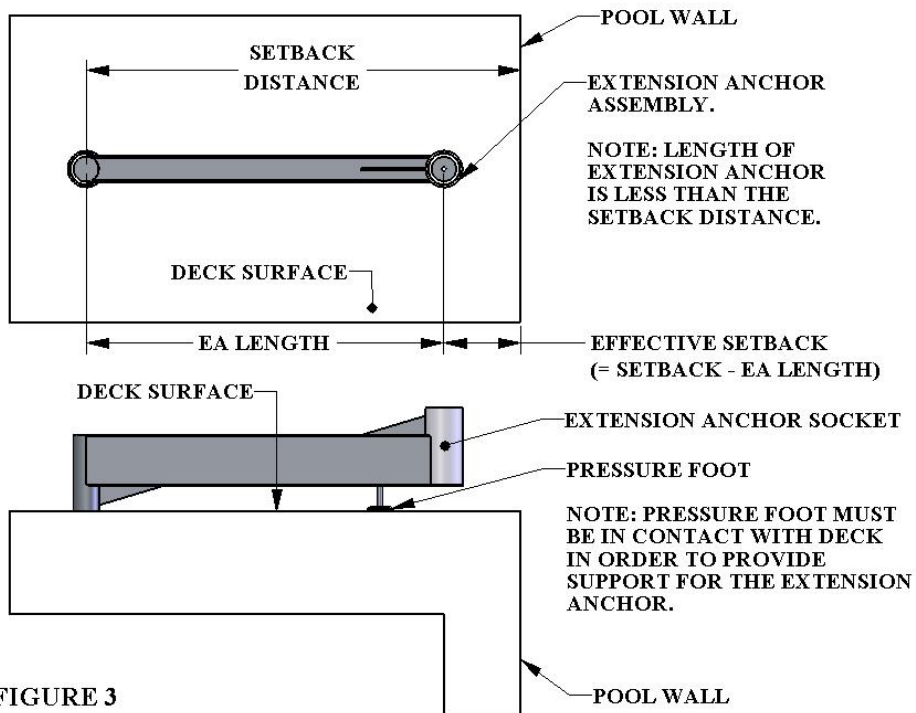


FIGURE 3