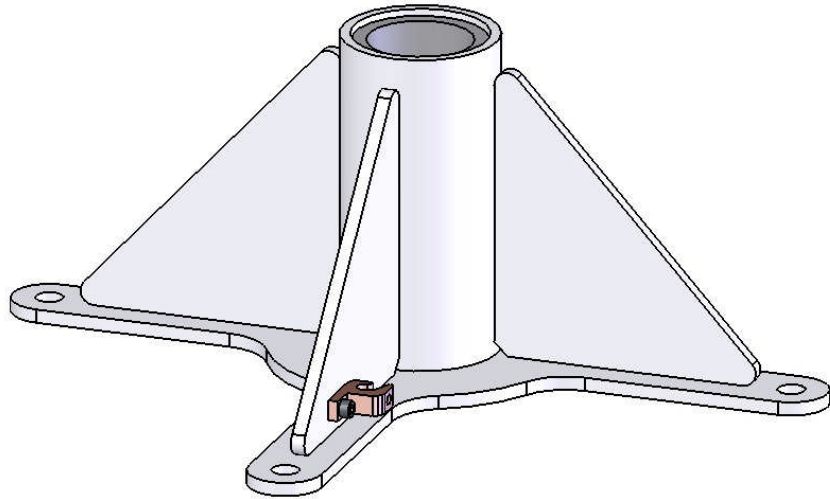




Aqua Creek Products

The Total Solution for Pool and Spa Access



SURFACE MOUNT ANCHOR

EZ & POWER EZ LIFT

400 LB. MAXIMUM CAPACITY

MANDATORY: LEAVE THIS MANUAL WITH LIFT OWNER

- WARNING -

IMPORTANT SAFETY INSTRUCTIONS

1. READ AND FOLLOW ALL INSTRUCTIONS. LIFT SAFETY CAN ONLY BE ENSURED IF THE LIFT IS INSTALLED AND OPERATED PROPERLY – ACCORDING TO THESE INSTRUCTIONS.
2. TO REDUCE THE RISK OF INJURY, DO NOT PERMIT CHILDREN TO USE THIS PRODUCT UNLESS THEY ARE CLOSELY SUPERVISED AT ALL TIMES.
3. DO NOT PERMIT CHILDREN TO PLAY ON OR AROUND THIS PRODUCT.
4. NEVER APPLY DIRECT WATER PRESSURE TO THE ELECTRONIC COMPONENTS.
5. SAVE A COPY OF THESE INSTRUCTIONS IN A SAFE AND EASILY ACCESSIBLE PLACE.

AQUA CREEK PRODUCTS

9889 GARRY MORE LANE

MISSOULA, MT 59808

1-888-687-3552

FAX: 406-549-2602

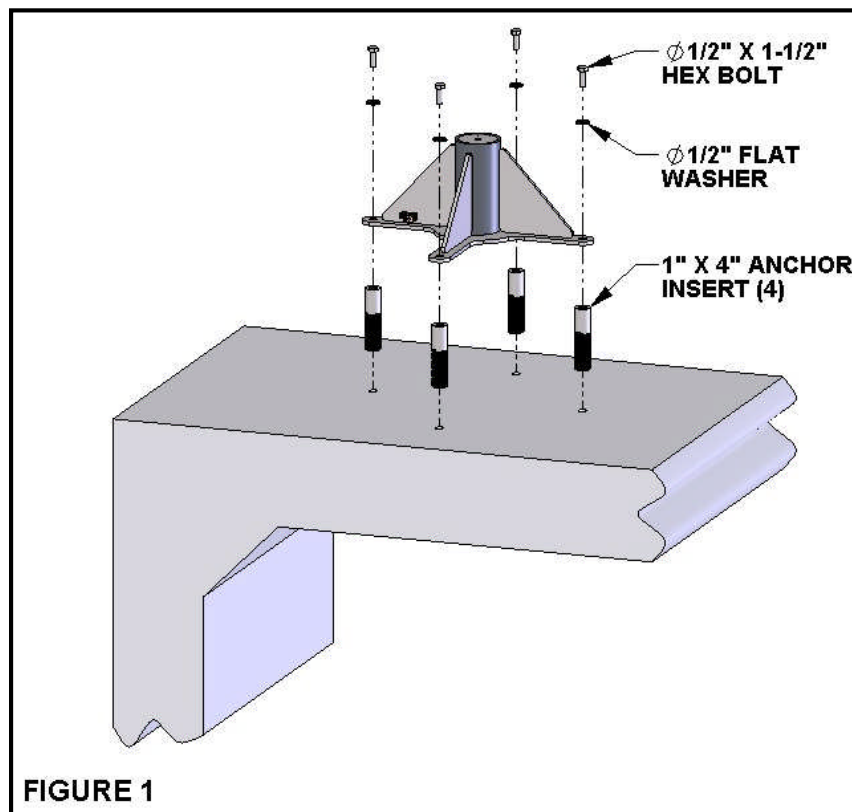
PACKING LIST:

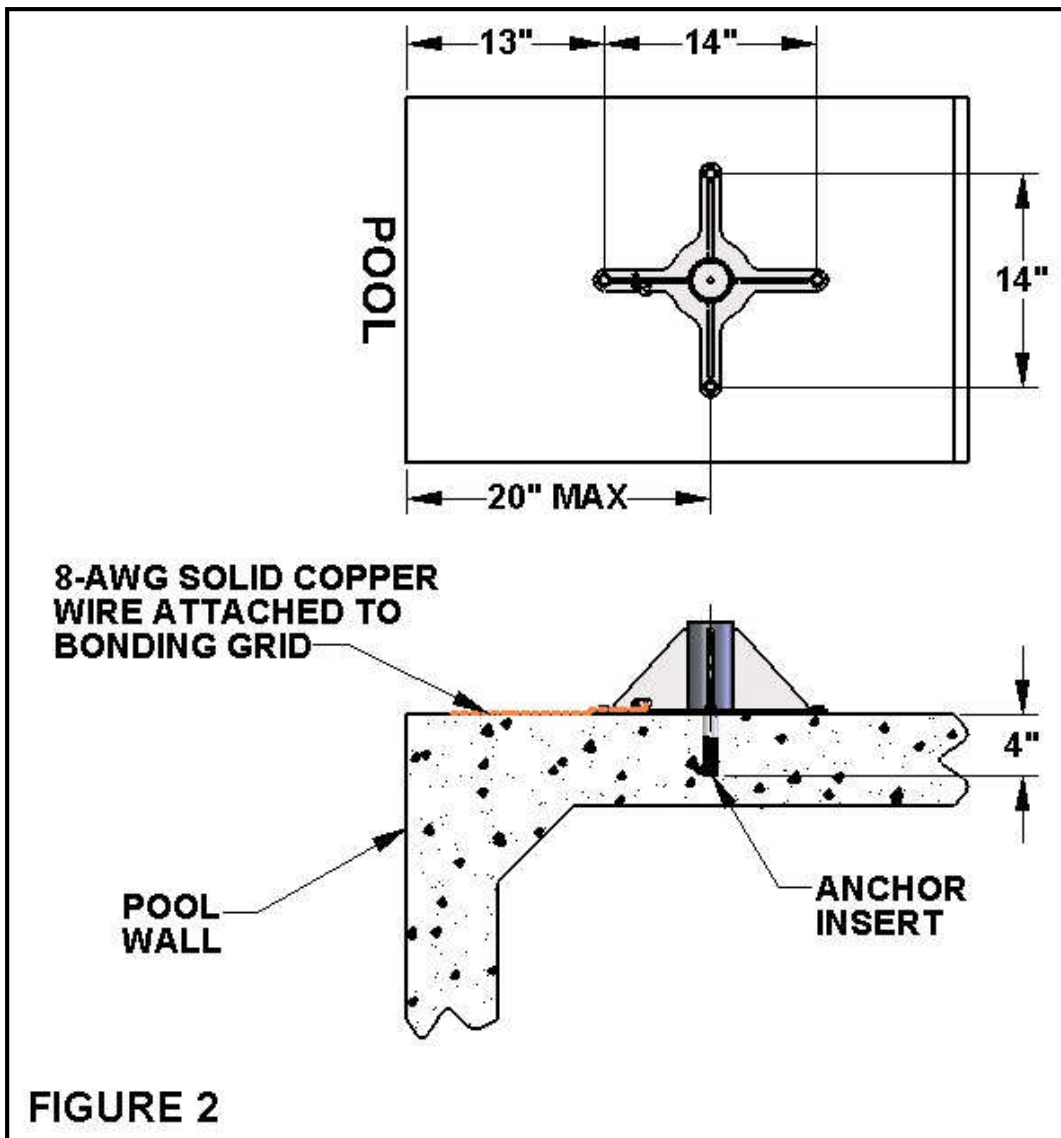
| ITEM # | QTY. | DESCRIPTION |
|---------------|-------------|------------------------------|
| 1 | 1 | SURFACE MOUNT ANCHOR |
| 2 | 4 | 1/2" FLAT WASHER, S.S. |
| 3 | 4 | 1/2" X 1-1/2" HEX BOLT, S.S. |
| 4 | 4 | 1" X 4" ANCHOR INSERT |

INSTALLATION INSTRUCTIONS:

CONCRETE DECK:

1. Find the desired location for the lift. The setback (the distance from the center of the anchor to the inside pool wall) can be no more than 20" as shown in FIGURE 2.
2. Using the anchor as a template, drill four (4) 1-1/2" holes at the four bolt locations to a depth of 4-1/2". Clean all debris from the hole.
3. Fill the holes 1/2 full with two part construction epoxy.
4. Set the 1" x 4" anchor inserts into the holes. Wiggle inserts to be sure the epoxy gets on all sides. Make sure the anchors end up flush with the concrete's surface.
5. Mount the SURFACE MOUNT ANCHOR to the deck using four (4) 1/2" x 1" hex bolts, and four (4) 1/2" flat washers. Tighten the bolts until snug plus 1/2 turn.





CHECK YOUR LOCAL ELECTRICAL CODE: BONDING REQUIREMENTS FOR POOL EQUIPMENT. ALWAYS BOND UNIT PER LOCAL ELECTRICAL CODES.