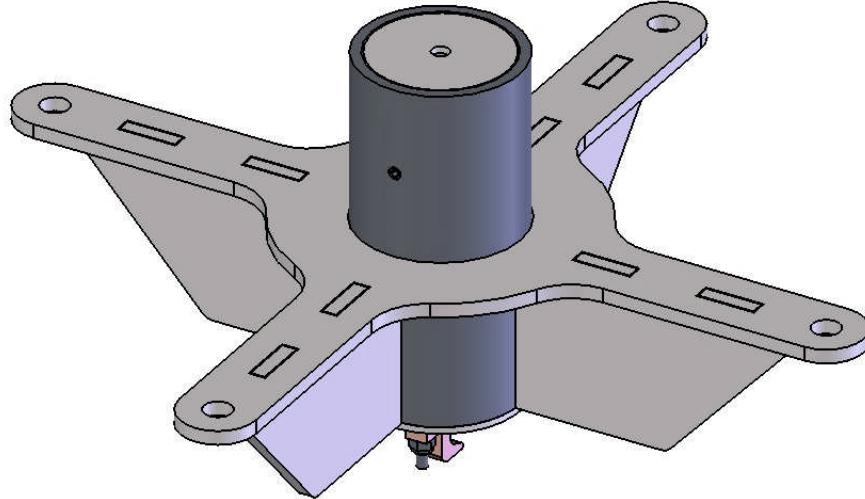




Aqua Creek Products

The Total Solution for Pool and Spa Access



WOOD DECK ANCHOR INSTALLATION INSTRUCTIONS

EZ & POWER EZ POOL LIFT 400 LB. MAXIMUM CAPACITY

MANDATORY: LEAVE THIS MANUAL WITH LIFT OWNER

- WARNING -

IMPORTANT SAFETY INSTRUCTIONS

- 1. READ AND FOLLOW ALL INSTRUCTIONS. LIFT SAFETY CAN ONLY BE ENSURED IF THE LIFT IS INSTALLED AND OPERATED PROPERLY – ACCORDING TO THESE INSTRUCTIONS.**
- 2. TO REDUCE THE RISK OF INJURY, DO NOT PERMIT CHILDREN TO USE THIS PRODUCT UNLESS THEY ARE CLOSELY SUPERVISED AT ALL TIMES.**
- 3. DO NOT PERMIT CHILDREN TO PLAY ON OR AROUND THIS PRODUCT.**
- 4. NEVER APPLY DIRECT WATER PRESSURE TO THE ELECTRONIC COMPONENTS.**
- 5. SAVE A COPY OF THESE INSTRUCTIONS IN A SAFE AND EASILY ACCESSIBLE PLACE.**

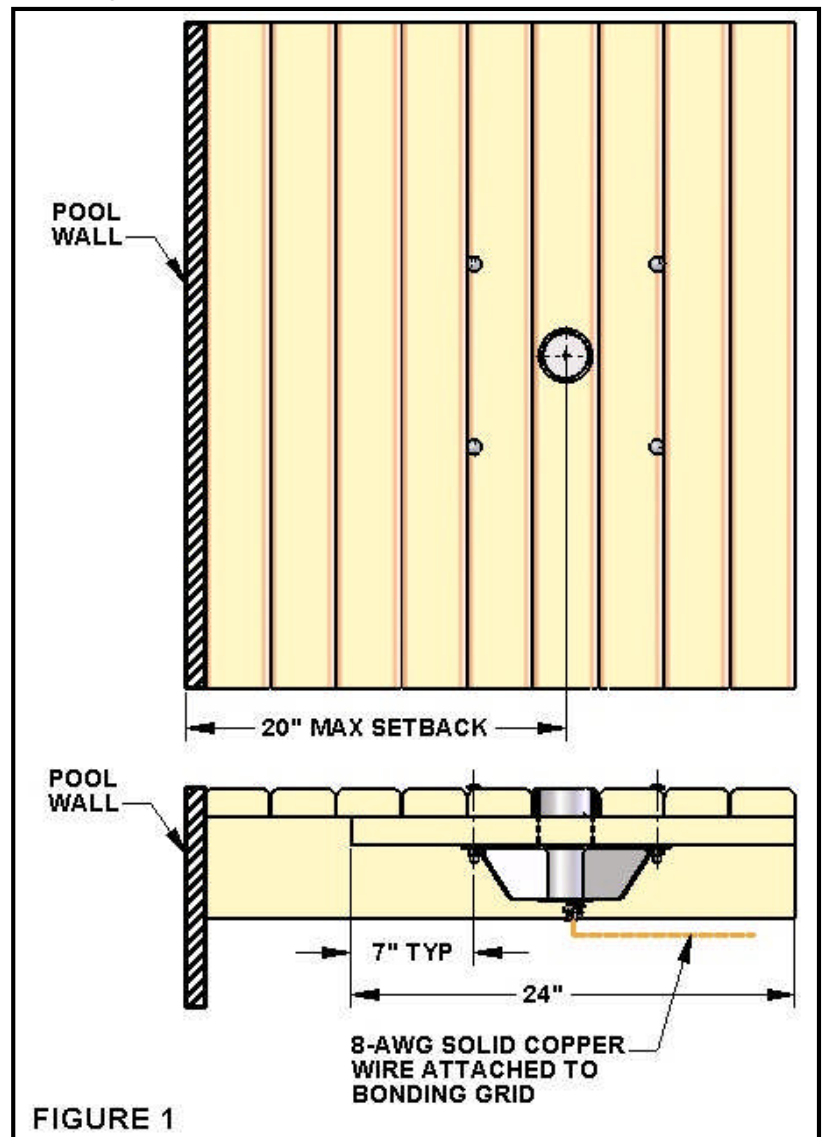
AQUA CREEK PRODUCTS
9889 GARRYMORE LANE
MISSOULA, MT 59808
1-888-687-3552
FAX: 406-549-2602

PACKING LIST:

ITEM #	QTY.	DESCRIPTION
1	1	WOOD DECK ANCHOR
2	1	TAMPER RESISTANT LID

INSTALLATION INSTRUCTIONS:

1. Find the desired location for the lift. The setback (the distance from the center of the anchor to the pool wall) must be 20" or less as shown in **FIGURE 1**.
2. Reinforce the deck using 2X6 material as shown in **FIGURE 2**, **FIGURE 3** and **FIGURE 4**. The reinforcing boards should be about 2-feet long so that they extend at least 7" past the mounting bolts on each side as shown in **FIGURE 1**.
3. Drill a 3" hole through the decking at the desired location for the body of the anchor.
4. Place the WOOD DECK ANCHOR in the 3" hole (upside down) and spin it until the four (4) mounting holes line up in a square pattern parallel with the joists & reinforcing boards as shown in **FIGURE 1**. Mark the four (4) mounting-bolt hole locations. Remove the anchor.
5. Drill 7/16" holes at the marked locations. Make sure to drill straight down, perpendicular to the deck, all the way through the deck and the reinforcing boards.
6. Install the WOOD DECK ANCHOR using four (4) 3/8" x 4" carriage bolts and 3/8" locking nuts (not included).
NOTE: For thick decks the bolts might need to be longer.



***NOTE:** Bond anchor to bonding grid with 8-AWG solid copper wire per local electrical codes as required.

