



Quickie IRIS January 2014

EIZ4-2

Mark For:

Submitting for:

Quote

Order

Date: _____
 Dealer Acct #: _____
 Dealer: _____
 Dealer Contact: _____
 Dealer Address: _____
 Dealer City: _____ ST: _____ ZIP: _____
 Dealer Phone: () _____ Fax: () _____
 Confirmation Email: _____
 Confirm Via: Fax Email

PO#: _____
ADDITIONAL SHIPPING INFORMATION
 Ship To: _____
 Attention: _____
 Address: _____
 Address: _____
 Ship To City: _____ ST: _____ ZIP: _____
 Ship To Phone: () _____ Fax: () _____

The **HCPCS CODES** provided are based on code verification through PDAC or our interpretation of the code definitions.
 The use of **HCPCS CODES** does not ensure coverage or payment. For coverage information, verify the appropriate payer's coverage policy.

✓	Option #	HCPCS	Definition	Price	✓	Option #	HCPCS	Definition	Price
---	----------	-------	------------	-------	---	----------	-------	------------	-------

1. FRAME STYLE & SETUP

Base Model				
<input type="checkbox"/>	183WM56		Quickie IRIS with True Fit Growth For 14" sizes use E1233	\$2,945.00

Pre-Set Tilt Angle (55° range) (Default in Bold)				
<input type="checkbox"/>	183TA5	E1161	-5 to 50° NA w/ Heavy Duty and 12.5" STFH	NC
<input type="checkbox"/>	183TA6	E1161	0 to 55°	NC
<input type="checkbox"/>	183TA7	E1161	+5 to 60° NA w/Heavy Duty Package	NC

Pre-Set Tilt Angle (40° range) (Default in Bold)				
<input type="checkbox"/>	183TA8	E1161	-5 to 35° NA w/ Heavy Duty and 12.5" STFH	NC
<input type="checkbox"/>	183TA1	E1161	0 to 40°	NC
<input type="checkbox"/>	183TA10	E1161	+5 to 45° NA w/Heavy Duty Package	NC

Frame Options				
<input type="checkbox"/>	183FS23		Standard Base and Seat Frame Maximum Weight: 250 lbs.	STD
<input type="checkbox"/>	183HV2		Heavy Duty Package (Max: 350 lbs) NA w/ Vent and Battery Tray	\$395.00
<input type="checkbox"/>	183FS24	E1029	Vent/Battery Tray Base NA w/ 14" and 15" frame width; minimum 17" STFH. NA w/ Attendant Wheel Lock.	\$425.00
<input type="checkbox"/>	183FT46		Contracture Seat Frame NA w/ 14" or 15" frame depths. NA w/ drop seat pan.	NC

Tilt Release Options				
<input type="checkbox"/>	183TT8		Foot Release - No Cables NA with Vent and Battery Tray. NA with 21-22" depth and +5° set-ups. <input type="checkbox"/> Left <input type="checkbox"/> Right (Facing from rear)	NC
<input type="checkbox"/>	183TT12		Backrest Dual trigger cable releases	NC

Transit				
<input type="checkbox"/>	183TO38		Transit Option Heavy Duty w/ Transit only available w/ 8" x 2" casters	\$250.00

Frame Width				
<input type="checkbox"/>	183W5		14"	NC
<input type="checkbox"/>	183W6		15"	NC
<input type="checkbox"/>	183W7		16"	NC
<input type="checkbox"/>	183W8		17"	NC
<input type="checkbox"/>	183W9		18"	NC
<input type="checkbox"/>	183W10		19"	NC
<input type="checkbox"/>	183W11	E2201	20"	\$450.00
<input type="checkbox"/>	183W12	E2201	21" NA w/ removable stroller handle extension	\$450.00
<input type="checkbox"/>	183W13	E2201	22" NA w/ removable stroller handle extension	\$450.00

Standard Frame Color							
<input type="checkbox"/>	183C140	Aztec Gold	NC	<input type="checkbox"/>	183C126	Glow	NC
<input type="checkbox"/>	183C2	Black	NC	<input type="checkbox"/>	183C144	Green Apple	NC
<input type="checkbox"/>	183C141	Black Cherry	NC	<input type="checkbox"/>	183C147	Hot Pink	NC
<input type="checkbox"/>	183C10	Black Opal	NC	<input type="checkbox"/>	183C148	Mauve Pink	NC
<input type="checkbox"/>	183C38	Blue Opal	NC	<input type="checkbox"/>	183C103	Rootbeer	NC
<input type="checkbox"/>	183C36	Candy Blue	NC	<input type="checkbox"/>	183C114	Sparkle Silver	NC
<input type="checkbox"/>	183C14	Candy Purple	NC	<input type="checkbox"/>	183C145	Sunrise Orange	NC
<input type="checkbox"/>	183C35	Candy Red	NC	<input type="checkbox"/>	183C113	Titanium	NC
<input type="checkbox"/>	183C142	Electric Blue	NC	<input type="checkbox"/>	183C8	Yellow	NC
<input type="checkbox"/>	183C143	Evergreen	NC				

Matte Frame Color				
<input type="checkbox"/>	183C116		Matte Black	NC
<input type="checkbox"/>	183C151		Matte Black Cherry	NEW! NC
<input type="checkbox"/>	183C150		Matte Electric Blue	NEW! NC
<input type="checkbox"/>	183C149		Matte Evergreen	NEW! NC
<input type="checkbox"/>	183C152		Matte Purple	NEW! NC

Custom Frame Color				
<input type="checkbox"/>	183C112		Desert Camouflage	\$295.00
<input type="checkbox"/>	183C43		Mossy Oak Camouflage	\$295.00
<input type="checkbox"/>	183C42		Stars & Stripes	\$295.00
<input type="checkbox"/>	183C108		Zebra (Choose above base color) Std with White unless above base paint is chosen NA w/ Black	\$295.00

Option #	HCPCS	Definition	Price	Option #	HCPCS	Definition	Price
2. FRAME DEPTH SET UP (Fill out either A or B)							

A. Setup By QUICKIE

A. User's Seated Height

See **Figure 1.2**, Dimension B. Distance from seat surface to top of the head.

<input type="checkbox"/>	183SJ01	Less than 37"	NC
<input type="checkbox"/>	183SJ02	37" or Greater	NC

A. User's Weight (Default in Bold)

251-350 lb options only available w/ HD Package

<input type="checkbox"/>	183BO01	0 - 250 lbs	NC
<input type="checkbox"/>	183BO02	251 - 300 lbs	NC
<input type="checkbox"/>	183BO03	301 - 350 lbs	NC

A. Backrest Position

See **FIGURE 1.1** and **FIGURE 1.3**, Dimension C. The location of the backrest surface in relation to the front of the backpost. The measurement is taken from the front surface of the backpost to the deepest area of the backrest in contact with the user's body.

<input type="checkbox"/>	183BQ01	+3"	NC
<input type="checkbox"/>	183BQ05	+2"	NC
<input type="checkbox"/>	183BQ02	+1"	NC
<input type="checkbox"/>	183BQ03	Flush	NC
<input type="checkbox"/>	183BQ04	-1"	NC
<input type="checkbox"/>	183BQ06	-2"	NC

A. Top of Cushion to Seat Rail

See **FIGURE 1.4** Dimensions A & B. This measurement is taken from the top of the cushion to the upper surface of the seat rail. If the cushion has a wedged shape and/or has significant lateral pelvic contour, then determine the height of the cushion at the point where the ischial tuberosities would contact (not immerse) the cushion surface.

<input type="checkbox"/>	183CJ04	2 1/2" or Greater	NC
<input type="checkbox"/>	183CJ05	Less than 2 1/2"	NC
<input type="checkbox"/>	183CJ03	Below Seat Rail	NC

A. Desired Seat Depth

See **Figure 1.1** for pricing, **Figure 1.2**, Dimension A for measurement

<input type="checkbox"/>	183SD7	14"	NC
<input type="checkbox"/>	183SD8	15"	NC
<input type="checkbox"/>	183SD9	16"	NC
<input type="checkbox"/>	183SD10	17"	Figure 1.1
<input type="checkbox"/>	183SD11	18"	Figure 1.1
<input type="checkbox"/>	183SD12	19"	Figure 1.1
<input type="checkbox"/>	183SD13	E2203 20"	Figure 1.1
<input type="checkbox"/>	183SD14	E2203 21"	Figure 1.1
<input type="checkbox"/>	183SD15	E2204 22"	Figure 1.1

B. Setup By DEPTH

B. Frame Depth Range

<input type="checkbox"/>	183FL91	Short Seat Frame 14"-18"	NC
<input type="checkbox"/>	183FL92	Medium Seat Frame 16"-20"	NC
<input type="checkbox"/>	183FL93	Long Seat Frame 18"-22"	NC

B. Frame Depth

<input type="checkbox"/>	183FD5	14" recommend short seat frame	NC
<input type="checkbox"/>	183FD6	15" recommend short seat frame	NC
<input type="checkbox"/>	183FD7	16" recommend short seat frame	NC
<input type="checkbox"/>	183FD8	17" recommend short seat frame	NC
<input type="checkbox"/>	183FD9	18" recommend medium seat frame	NC
<input type="checkbox"/>	183FD10	19" recommend medium seat frame	NC
<input type="checkbox"/>	183FD11	E2203 20" recommend long seat frame	\$475.00
<input type="checkbox"/>	183FD16	E2203 21" recommend long seat frame	\$475.00
<input type="checkbox"/>	183FD17	E2204 22" recommend long seat frame	\$795.00

A. Figures for Setup by Quickie

Figure 1.1

	3	2	1	Flush	-1	-2
14"	NC	NC	NC	NC	N/A	N/A
15"	NC	NC	NC	NC	N/A	N/A
16"	NC	NC	NC	NC	NC	N/A
17"	\$475	NC	NC	NC	NC	NC
18"	\$475	\$475	NC	NC	NC	NC
19"	N/A	\$475	\$475	NC	NC	NC
20"	N/A	\$795	\$475	\$475	NC	NC
21"	N/A	N/A	\$795	\$475	\$475	NC
22"	N/A	N/A	N/A	\$795	\$475	\$475

Figure 1.2

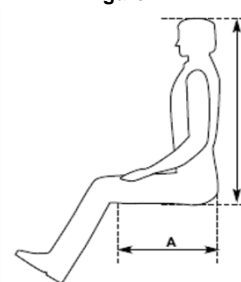


Figure 1.3

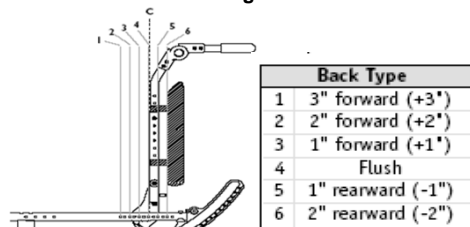
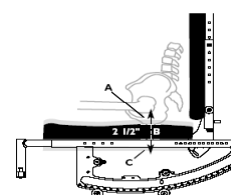


Figure 1.4



3. SEATING

Seat Type

<input type="checkbox"/>	183ST35	E2231	Standard Seat Pan For growth ranges, see Figure 1.5	\$150.00
<input type="checkbox"/>	183ST36	E2231	Drop Seat Pan NA w/ transit, HD, contracture footrest system	\$150.00
<input type="checkbox"/>	183ST54		Omit Seat Pan	NC

JAY Cushions (Optional)

To order any JAY cushions on-chair, please see the JAY price list.

Cushion name or part number must be filled out with desired width and depth.

<input type="checkbox"/>	183JC20	JAY Bundled Cushion Cushion Name/Part #:	Price List
		Width: _____ Depth: _____	

Figure 1.5

Frame Width	Seat Pan Growth
14"	14" - 16"
15"	15" - 16"
16"	16" - 18"
17"	17" - 18"
18"	18" - 20"
19"	19" - 20"
20"	20" - 22"
21"	21" - 22"
22"	NA

✓	Option #	HCPCS	Definition	Price	✓	Option #	HCPCS	Definition	Price
---	----------	-------	------------	-------	---	----------	-------	------------	-------

4. BACKREST

Backpost Style - (Choose ONE Option - A, B, or C)

A. Stroller Handle Backpost (Fixed)			
<input type="checkbox"/>	183BP9	Low (18")	NC
<input type="checkbox"/>	183BP10	Medium (21")	NC
<input type="checkbox"/>	183BP11	Tall (24")	NC
<input type="checkbox"/>	183BP13	Removable Extension NA w/ 21"-22" frame width, height adj back with adj stroller handles	\$85.00

OR

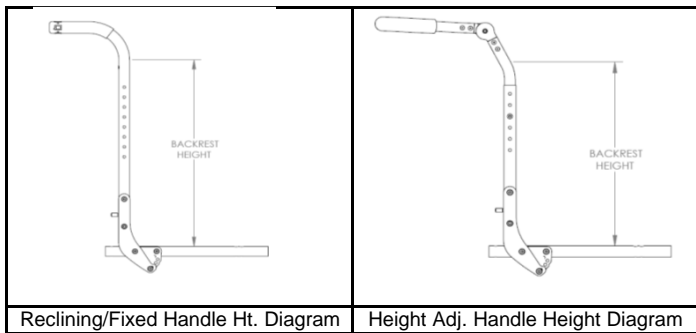
B. Height Adjustable Back w/ Adj. Stroller Handles			
Select desired Push Handle			
<input type="checkbox"/>	183PH8	Standard Push Handle	NC
<input type="checkbox"/>	183PH9	Long Push Handle Recommended in combo w/ vent & battery tray	NC
AND select desired Back Cane			
<input type="checkbox"/>	183B200	Standard 15"-21"	NC
<input type="checkbox"/>	183B201	Tall 18"-24"	NC

OR

C. Reclining Backrest (0-50°)			
<i>Only available with 40 degree tilt range. NA w/ 22" Deep Frame.</i>			
<input type="checkbox"/>	183BT21	E1225 Reclining Backrest	\$850.00
<input type="checkbox"/>	183B5	Medium	NC
<input type="checkbox"/>	183B9	Tall	NC
<input type="checkbox"/>	183BP13	Removable Extension	\$85.00

Dynamic Backrest			
<input type="checkbox"/>	183BT101	Dynamic Backrest NA w/ Reclining Backrest or 19"-22" seat depths	\$1,195.00

JAY J3 Back			
<input type="checkbox"/>	183JB01	JAY J3 Back NA w/ O2 Holder	See OF

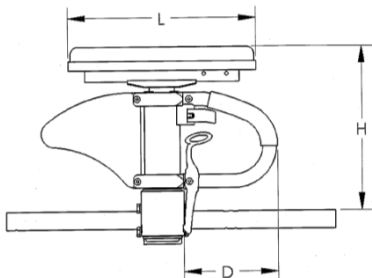


5. ARMREST

Armrest			
<i>Heavy Duty Option only available w/ Dual Post Armrest</i>			
<input type="checkbox"/>	183AA63	E0973 Dual Post Height Adjustable	\$250.00
<input type="checkbox"/>	183AA43	Dual Post Flip Back	\$95.00
<input type="checkbox"/>	183AA62	Dual Post	NC
<input type="checkbox"/>	183AA48	E0973 Dual Post Flip Back Height Adj	\$275.00
<input type="checkbox"/>	183AA7	E0976 Length Adjustable Locking Flip-Up NA w/ contour armpad	\$260.00
<input type="checkbox"/>	183AA11	E0973 Single Post Height Adjustable - Std	\$265.00
<input type="checkbox"/>	183AA29	E0973 Single Post Height Adjustable - Low	\$265.00
<input type="checkbox"/>	183AA1	E0973 Adjustable Locking Flip-Up	\$250.00
<input type="checkbox"/>	183AA14	Omit Armrest	NC

Armrest Receiver (Single Post Height Adjustable Only)			
<input type="checkbox"/>	183AR17	Low	NC
<input type="checkbox"/>	183AR18	Std	NC

Armpad			
<input type="checkbox"/>	183AM23	Desk Length Classic	NC
<input type="checkbox"/>	183AM21	Desk Length Contour	NC
<input type="checkbox"/>	183AM24	Full Length Classic	NC
<input type="checkbox"/>	183AM22	Full Length Contour	NC
<input type="checkbox"/>	183AM24	Full Length Classic	NC
<input type="checkbox"/>	183AM9	Foam Short Option for Length Adj Locking Flip Up	NC
<input type="checkbox"/>	183AM10	Foam Long Option for Length Adj Locking Flip Up	NC



Armrest Matrix for Single Post						
Armrest Size	Transfer Tube Length D	Receiver	Classic Pad			
			H Range	Pad Length L		
STD	8"	STD	10 3/4" to 15 3/4"	10 1/4"	14"	
		LOW	8 3/4" to 13 3/4"			
LOW	5 1/4"	STD	9" to 13"	10 1/4"	14"	
		LOW	7 1/4" to 11 1/4"			
		Receiver	Contour Pad			
			H Range	Pad Length L		
			STD	10" to 15"	10 1/2"	14 1/4"
			LOW	8 1/4" to 12 1/2"		
			STD	8 1/2" to 12 1/2"		
LOW	6 3/4" to 10 3/4"					

6. HANGER AND FOOTPLATE OPTIONS

Footrest (Choose ONE Option - A, B, or C)

A. Hanger Mounted Footrest			
<input type="checkbox"/>	183H89	70° Swing In/Swing Out -Front Mount	NC
<input type="checkbox"/>	183H90	80° Swing In/Swing Out -Front Mount	NC
<input type="checkbox"/>	183H91	90° Swing In/Swing Out -Front Mount	NC
<input type="checkbox"/>	183H146	70° Heavy Duty Front Mount Lift Off	\$95.00
<input type="checkbox"/>	183H132	80° Heavy Duty Front Mount Lift Off NA w/ 4" casters	\$95.00
<input type="checkbox"/>	183H147	90° Heavy Duty Front Mount Lift Off NA w/ 4" casters	\$95.00
<input type="checkbox"/>	183H23	E0990 90° Elevating NA 90° footboard, some interference with casters if not tilted	\$295.00

A. Hanger Mounted Footrest Extension Tubes			
<i>NA w/ 12.5" seat height</i>			
<input type="checkbox"/>	183E23	2" NA w/ 90 swing away, lift off hangers	\$55.00
<input type="checkbox"/>	183E24	4" NA w/ 90 swing away, lift off hangers	\$55.00

A. Hanger Mounted Footrest Footplates			
<i>Heel loop or leg strap not included, See Footplate Options Section</i>			
<input type="checkbox"/>	183F4	K0040 Kids Angle Adj Available w/ 14" to 16" frame width only	\$185.00
<input type="checkbox"/>	183F3	K0040 Adult Angle Adj	\$185.00
<input type="checkbox"/>	183A7	Omit Footplate	NC

OR

B. Extension Tube Mounted Footrests			
<i>Footrests mount to extension tubes</i>			
<input type="checkbox"/>	183H85	60° Swing In/Swing Out	NC
<input type="checkbox"/>	183H86	70° Swing In/Swing Out	NC
<input type="checkbox"/>	183H116	80° Swing In/Swing Out NA w/ 8" casters	NC
<input type="checkbox"/>	183H14	E0990 Elevating Only available w/ alum or angle adj footplate	\$295.00
<input type="checkbox"/>	183H24	K0053 Articulating Adult NA w/ short ext tubes	\$350.00

B. Extension Tube Mounted Footrests			
<input type="checkbox"/>	183E1	Short (11.5" - 14")	NC
<input type="checkbox"/>	183E2	Medium (14" - 17") NA with 12.5" seat height	NC
<input type="checkbox"/>	183E5	Long (17" - 19") NA with 12.5" seat height	NC
<input type="checkbox"/>	183E12	Short ELR (ELR only 11.5" - 15.5")	NC
<input type="checkbox"/>	183E15	Long ELR (ELR only 12.5" - 17.5")	NC
<input type="checkbox"/>	183E16	K0037 High Mount Only available with adult or kids angle adj. footplates	\$55.00

B. Extension Tube Mounted Footrest Footplates			
<i>Heel loop or leg strap not included, See Footplate Options Section</i>			
<input type="checkbox"/>	183F1	Composite with 70° SA ext. mount hangers NA w/ 8" casters	STD
<input type="checkbox"/>	183F5	Aluminum Only available w/ELR	NC
<input type="checkbox"/>	183F3	K0040 Adult Angle Adjustable	\$185.00
<input type="checkbox"/>	183F48	K0040 Platform Flip-Up NA w/ med ext tubes. Only available with 60° or 70° hangers	\$190.00
<input type="checkbox"/>	183F7	Omit Footplate and Ext. Tube	-\$15.00

OR

C. Contracture Footrest System

Multi-Adjustable Padded Hangers & Angle Adjustable Aluminum Footrests. Contracture system only available with heel loops.

<input type="checkbox"/>	183H26	Contracture Footrest System NA w/ drop seat pan. NA w/ 15" frame depth	\$325.00
<input type="checkbox"/>	183FP02	Outside Mount	NC
<input type="checkbox"/>	183FP01	Center Mount	NC

Select Extension Height Below for Short

<input type="checkbox"/>	183E25	Short	
<input type="checkbox"/>	183EP1	10.5" Extension Height	NC
<input type="checkbox"/>	183EP2	11.0" Extension Height	NC
<input type="checkbox"/>	183EP3	11.5" Extension Height	NC
<input type="checkbox"/>	183EP4	12.0" Extension Height	NC
<input type="checkbox"/>	183EP5	12.5" Extension Height	NC
<input type="checkbox"/>	183EP6	13.0" Extension Height	NC

Select Extension Height Below for Regular

<input type="checkbox"/>	183E26	Regular	
<input type="checkbox"/>	183EP5	12.5" Extension Height	NC
<input type="checkbox"/>	183EP6	13.0" Extension Height	NC
<input type="checkbox"/>	183EP7	13.5" Extension Height	NC
<input type="checkbox"/>	183EP8	14.0" Extension Height	NC
<input type="checkbox"/>	183EP9	14.5" Extension Height	NC
<input type="checkbox"/>	183EP10	15.0" Extension Height	NC

Additional Hanger and Footplate Options

Hanger Mounts

Not available with -5-50° preset tiltangle

Possible interference with 80° & 90° hangers

<input type="checkbox"/>	183MZ02	Standard Hanger Mount	STD
<input type="checkbox"/>	183MZ01	1" Offset Hanger Mount	NC

Footrest Options

<input type="checkbox"/>	183HL1	E0951 Heel Loop	\$30.00
<input type="checkbox"/>	183HL5	K0038 Leg Strap	\$35.00
<input type="checkbox"/>	183IG2	Impact Guard Neoprene Only available w/ 60° or 70° ext. mount hanger	\$85.00
<input type="checkbox"/>	183H32	Omit Hanger	-\$15.00
<input type="checkbox"/>	183HL4	Omit Heel Loop	NC
<input type="checkbox"/>	183HL6	Omit Single Leg Strap	NC

✓	Option #	HCPCS	Definition	Price	✓	Option #	HCPCS	Definition	Price
---	----------	-------	------------	-------	---	----------	-------	------------	-------

7. SEAT HEIGHT SETUP

Front Seat Height

Rear Wheel Size	CASTER SIZE					
	4"	5"	6"	8x1"	8x1.5"	8x2"
12" Mag	<input type="checkbox"/> 12.5"	<input type="checkbox"/> 13.5"	<input type="checkbox"/> 16.5"		<input type="checkbox"/> 16.5"	
		<input type="checkbox"/> 16.5"	<input type="checkbox"/> 17.0"	<input type="checkbox"/> 17.0"	<input type="checkbox"/> 17.0"	
		<input type="checkbox"/> 17.0"	<input type="checkbox"/> 17.5"	<input type="checkbox"/> 17.5"	<input type="checkbox"/> 17.5"	<input type="checkbox"/> 17.5"
		<input type="checkbox"/> 17.5"		<input type="checkbox"/> 18.0"	<input type="checkbox"/> 18.0"	<input type="checkbox"/> 18.0"
12" Low Poly		<input type="checkbox"/> 16.0"	<input type="checkbox"/> 16.0"		<input type="checkbox"/> 16.0"	
		<input type="checkbox"/> 16.5"	<input type="checkbox"/> 16.5"	<input type="checkbox"/> 16.5"	<input type="checkbox"/> 16.5"	<input type="checkbox"/> 16.5"
		<input type="checkbox"/> 17.0"	<input type="checkbox"/> 17.0"	<input type="checkbox"/> 17.0"	<input type="checkbox"/> 17.0"	<input type="checkbox"/> 17.0"
16" Mag		<input type="checkbox"/> 13.5"				
		<input type="checkbox"/> 14.0"				
		<input type="checkbox"/> 14.5"	<input type="checkbox"/> 14.5"			
		<input type="checkbox"/> 15.0"	<input type="checkbox"/> 15.0"			
		<input type="checkbox"/> 18.0"	<input type="checkbox"/> 18.0"	<input type="checkbox"/> 18.0"	<input type="checkbox"/> 18.0"	<input type="checkbox"/> 18.0"
		<input type="checkbox"/> 18.5"	<input type="checkbox"/> 18.5"	<input type="checkbox"/> 18.5"	<input type="checkbox"/> 18.5"	
			<input type="checkbox"/> 19.0"	<input type="checkbox"/> 19.0"	<input type="checkbox"/> 19.0"	<input type="checkbox"/> 19.0"
20" Mag		<input type="checkbox"/> 16.0"	<input type="checkbox"/> 16.0"		<input type="checkbox"/> 16.0"	
		<input type="checkbox"/> 16.5"	<input type="checkbox"/> 16.5"	<input type="checkbox"/> 16.5"	<input type="checkbox"/> 16.5"	<input type="checkbox"/> 16.5"
		<input type="checkbox"/> 17.0"	<input type="checkbox"/> 17.0"	<input type="checkbox"/> 17.0"	<input type="checkbox"/> 17.0"	<input type="checkbox"/> 17.0"
		<input type="checkbox"/> 17.5"		<input type="checkbox"/> 17.5"		
22" Mag		<input type="checkbox"/> 17.0"	<input type="checkbox"/> 17.0"	<input type="checkbox"/> 17.0"		<input type="checkbox"/> 17.0"
		<input type="checkbox"/> 17.5"	<input type="checkbox"/> 17.5"	<input type="checkbox"/> 17.5"	<input type="checkbox"/> 17.5"	
		<input type="checkbox"/> 18.0"	<input type="checkbox"/> 18.0"	<input type="checkbox"/> 18.0"	<input type="checkbox"/> 18.0"	<input type="checkbox"/> 18.0"
24" Mag & Spoke		<input type="checkbox"/> 18.5"	<input type="checkbox"/> 18.5"	<input type="checkbox"/> 18.5"	<input type="checkbox"/> 18.5"	
			<input type="checkbox"/> 19.0"	<input type="checkbox"/> 19.0"	<input type="checkbox"/> 19.0"	<input type="checkbox"/> 19.0"
				<input type="checkbox"/> 19.5"		

Casters

<input type="checkbox"/>	183CW73		4" x 1.25" Semi Pneumatic NA w/ Heavy Duty Option	NC
<input type="checkbox"/>	183CW53		5" x 1" Polyurethane	NC
<input type="checkbox"/>	183CW7		5" x 1.5" Semi Pneumatic	\$85.00
<input type="checkbox"/>	183CW45		6" x 1" Polyurethane	NC
<input type="checkbox"/>	183CW35		6" x 1.5" Semi Pneumatic	\$85.00
<input type="checkbox"/>	183CW46		8" x 1" Polyurethane	NC
<input type="checkbox"/>	183CW39		8"x 1.5" Semi Pneumatic	\$85.00
<input type="checkbox"/>	183CW36	E2214 E2215	8"x 2" Pneumatic	\$145.00
<input type="checkbox"/>	183CW37	E2214 K0108	8"x 2" Pneumatic w/Insert	\$225.00

Rear Wheel

<input type="checkbox"/>	183RW13		12" Mag Wheel NA w/ hand rims or full poly tires. With attendant wheel lock NA w/ +5 - 60° tilt angle.	NC
<input type="checkbox"/>	183RW14		16" Mag Wheel NA w/ hand rims; Only available w/ pneumatic or pneumatic w/ airless inserts tires.	NC
<input type="checkbox"/>	183RW3		20" Mag Wheel NA w/ projection handrims.	NC
<input type="checkbox"/>	183RW8		22" Mag Wheel NA w/ projection handrims.	NC
<input type="checkbox"/>	183RW1		24" Mag Wheel	NC
<input type="checkbox"/>	183RW51		24" Spoke Wheel	\$200.00

Rear Wheel Tire

<input type="checkbox"/>	183RT3		Full Polyurethane	NC
<input type="checkbox"/>	183RT4		Low Polyurethane Only available w/ 12" Mag Wheel	NC
<input type="checkbox"/>	183RT1	E2211 E2212	Pneumatic	NC
<input type="checkbox"/>	183RT2	E2213 E2211	Pneumatic Airless Insert	\$80.00

Handrim

12" and 16" wheels not available with hand rims.

<input type="checkbox"/>	183HR1		Aluminum Anodized	NC
<input type="checkbox"/>	183HR4		Plastic Coated	\$95.00
<input type="checkbox"/>	183HR7		Omit Handrim	NC

Projections

Not available on plastic coated. Only available with 24" rims.

<input type="checkbox"/>	183HR8		8 Oblique	\$240.00
--------------------------	--------	--	-----------	----------

Axle

<input type="checkbox"/>	183AX1		Quick Release Axles NA w/ one arm drive	NC
<input type="checkbox"/>	183AX17		Threaded Axles NA w/ 24" spoke wheels	NC

Axle Plate

<input type="checkbox"/>	183AL33		Standard Axle Plate	NC
<input type="checkbox"/>	183AL17	E0958	One Arm Drive Axle Plate NA w/ 12" & 16" mag, 24" spoke wheels.	\$850.00
<input type="checkbox"/>	183OA2		One Arm Drive Standard Handrim	NC
	<input type="checkbox"/>	183HM1	Right Hand Mount	NC
	<input type="checkbox"/>	183HM2	Left Hand Mount	NC
<input type="checkbox"/>	183OA1		One Arm Drive Small Handrim NA w/ 20" mag wheels	NC
	<input type="checkbox"/>	183HM1	Right Hand Mount	NC
	<input type="checkbox"/>	183HM2	Left Hand Mount	NC

Hub Lock

Only available w/ 12" or 16" wheels. NA w/ one arm drive.

<input type="checkbox"/>	183LK01		12" Hub Lock	\$100.00
<input type="checkbox"/>	183LK02		16" Hub Lock	\$100.00

Wheel Lock

<input type="checkbox"/>	183WL8		Push to Lock	NC
<input type="checkbox"/>	183WL41	E2206	Attendant Wheel Lock (Foot Lock) NA w/ ext handles. NA w/ one arm drive	\$80.00
<input type="checkbox"/>	183WL10		Omit Wheel Lock	NC

Extension Handle

<input type="checkbox"/>	183EH7	E0961	6" Pair	\$65.00
--------------------------	--------	-------	---------	---------

✓	Option #	HCPCS	Definition	Price	✓	Option #	HCPCS	Definition	Price
---	----------	-------	------------	-------	---	----------	-------	------------	-------

8. KEY OPTIONS AND ACCESSORIES

Anti Tips

Included with vent tray option. Not ordered as separate line item.

<input type="checkbox"/>	183AT1	E0971	Anti Tips (Pair)	\$135.00
--------------------------	--------	-------	------------------	----------

Seat Pouch

<input type="checkbox"/>	183A8		Black	\$45.00
--------------------------	-------	--	-------	---------

Backpack

<input type="checkbox"/>	183A1		Black Utility Backpack	\$55.00
--------------------------	-------	--	------------------------	---------

Extra Leg Strap

<input type="checkbox"/>	183A54		Black	\$30.00
--------------------------	--------	--	-------	---------

Miscellaneous Accessories

<input type="checkbox"/>	183A82		Caddy <i>Only available w/ extention tube mounted footrests</i>	\$45.00
<input type="checkbox"/>	183A71	E2208	O2 Holder <i>NA w/ Height Adj Stroller Handles. NA w/ Reclining Backrest, or Transit Option.</i>	\$150.00
<input type="checkbox"/>	183A73	K0105	IV Pole <i>NA w/ transit option</i>	\$275.00

Positioning Belt

<input type="checkbox"/>	183A158	E0978	2" Dual Pull Squeeze Pad w/Clamp	\$85.00
<input type="checkbox"/>	183A141	E0978	1.5" Auto Buckle Universal w/Clamp	\$70.00
<input type="checkbox"/>	183A117	E0978	2" Aircraft Buckle w/Clamps	\$110.00
<input type="checkbox"/>	183A118	E0978	2" Aircraft Buckle Pad w/Clamp	\$120.00
<input type="checkbox"/>	183A120	K0108	Positioning Belt Clamps Only	\$50.00

Spoke Guards

Not available with 12" and 16" mag wheels.

<input type="checkbox"/>	183A24	K0065	Clear	\$115.00
<input type="checkbox"/>	183A23	K0065	Black <i>NA w/ projection handrims</i>	\$115.00

Wheelchair Tray Table

Only available if armrests are included. Size may vary and is a suggestion

<input type="checkbox"/>	183A30	E0950	Small (13"-14")	\$250.00
<input type="checkbox"/>	183A31	E0950	Medium (15"-17")	\$250.00
<input type="checkbox"/>	183A32	E0950	Large (18"-20")	\$250.00
<input type="checkbox"/>	183A33	E0950	X-Large (21"-22")	\$250.00

Side Guard

Only available with length adjustable locking flip-up and adjustable locking flip-up armrest styles.

<input type="checkbox"/>	183SG3	K0108	Plastic Regular	\$125.00
<input type="checkbox"/>	183SG4	K0108	Plastic Kids	\$125.00

Canopy (SunShade)

Need 2" back post clearance to mount canopy hardware. May require next height based on seating. Some interference may occur with some height configurations.

<input type="checkbox"/>	183A06	K0108	Canopy (Sunshade) 10" - 14" wide	\$275.00
<input type="checkbox"/>	183A07	K0108	Canopy (Sunshade) 15" - 20" wide	\$275.00

Additional Options Through Built for Me

To inquire about any unique customization for Quickie products, contact: Phone: (800) 333-4000, Fax: (800) 333 9011

Commonly Requested Options Include:

- ✓ **23" & 24" Seat Widths**
- ✓ **Angle Adjustable Handle for Reclining Backrest**

