



Zippie X'CAPE
March 2015
EIFZ1

Date: _____ Dealer Acct #: _____ Dealer: _____ Dealer Contact: _____ Dealer Address: _____ Dealer City: _____ ST: _____ ZIP: _____ Dealer Phone: () _____ Fax: () _____ Confirm Via: <input type="checkbox"/> Fax <input type="checkbox"/> Email	SUBMITTING FOR: <input type="checkbox"/> Quote <input type="checkbox"/> Order PO#: _____ Ship To: _____ Attention: _____ Address: _____ Address: _____ Ship To City: _____ ST: _____ ZIP: _____ Ship To Phone: () _____ Fax: () _____
---	---

Mark For: _____

*The HCPCS CODES provided are based on code verification through PDAC or our interpretation of the code definitions.
 The use of HCPCS CODES does not ensure coverage or payment. For coverage information, verify the appropriate payer's coverage policy.*

✓	Option #	HCPCS	Definition	Price	✓	Option #	HCPCS	Definition	Price
K0005 coding still applies for certain sizes									

1. FRAME

A. Zippie X'CAPE - TRANSIT INCLUDED (165lbs)				B. Zippie X'CAPE - TRANSIT OPTIONAL (165lbs)					
A. FRAME STYLE (Includes True Fit)				B. FRAME STYLE (Includes True Fit)					
<input type="checkbox"/>	121WM87	E1238	X'CAPE - Transit Inc without seating (Custom seating opts available)	\$2,385.00	<input type="checkbox"/>	121WM83	E1238	X'CAPE - Transit Opt without seating (Custom seating opts available)	\$2,135.00
<input type="checkbox"/>	121WM84	E1236	X'CAPE - Transit Inc w/ Seating (Sling and Back Uphol)	\$2,535.00	<input type="checkbox"/>	121WM85	E1236	X'CAPE - Transit Opt w/Seating (Sling and Back Uphol)	\$2,285.00

TRANSIT SYSTEM WC-19								
<input type="checkbox"/>	121TO48		Transit Opt.	\$300.00	<input type="checkbox"/>	121TO40	Omit Transit	NC

FRAME TYPE								
<input type="checkbox"/>	121FT64		Zippie-Swing Away Frame	NC	<input type="checkbox"/>	121FT65	Zippie-80° Fixed Front Frame	NC

2. SIZE/SEATING

2A. FRAME WIDTH									
<input type="checkbox"/>	121W48		8" (Frame Width Growth 9-10")	NC	<input type="checkbox"/>	121W53		13" (Frame Width Growth 14-15")	NC
<input type="checkbox"/>	121W49		9" (Frame Width Growth 10-11")	NC	<input type="checkbox"/>	121W54		14" (Frame Width Growth 15-16")	NC
<input type="checkbox"/>	121W50		10" (Frame Width Growth 11-12")	NC	<input type="checkbox"/>	121W55		15" (Frame Width Growth 16-17")	NC
<input type="checkbox"/>	121W51		11" (Frame Width Growth 12-13")	NC	<input type="checkbox"/>	121W56		16" (Frame Width Growth 17-18")	NC
<input type="checkbox"/>	121W52		12" (Frame Width Growth 13-14")	NC					

2B/C. SLING DEPTH, FRAME DEPTH AND BACK POST POSITION. See matrix on page 2.

When selecting Frame Depth with custom seating, add 1" to accommodate seating. Example: need 10 depth, order 11 depth.

2B. Sling Depth when choosing with Seating * Sling must be up to 3" less than or equal to the Frame Depth (C.)									
<input type="checkbox"/>	121GJ1		8"	NC	<input type="checkbox"/>	121GJ7		14"	NC
<input type="checkbox"/>	121GJ2		9"	NC	<input type="checkbox"/>	121GJ8		15"	NC
<input type="checkbox"/>	121GJ3		10"	NC	<input type="checkbox"/>	121GJ9		16"	NC
<input type="checkbox"/>	121GJ4		11"	NC	<input type="checkbox"/>	121GJ10		17"	NC
<input type="checkbox"/>	121GJ5		12"	NC	<input type="checkbox"/>	121GJ11		18"	NC
<input type="checkbox"/>	121GJ6		13"	NC					

2C. Frame Depth and Back Post Position with Growth *must be equal or greater than Sling Depth if chosen with seat Sling									
<input type="checkbox"/>	121FD40		8" (Frame depth growth 9"-11", NA w/ 24" wheels)	NC	<input type="checkbox"/>	121FD46		14" (Frame depth growth 15"-17")	NC
<input type="checkbox"/>	121FD41		9" (Frame depth growth 10"-12", NA w/ 24" wheels)	NC	<input type="checkbox"/>	121FD47		15" (Frame depth growth 16"-18")	NC
<input type="checkbox"/>	121FD42		10" (Frame depth growth 11"-13")	NC	<input type="checkbox"/>	121FD48		16" (Frame depth growth 17"-19")	NC
<input type="checkbox"/>	121FD43		11" (Frame depth growth 12"-14")	NC	<input type="checkbox"/>	121FD49		17" (Frame depth growth 18"-20")	NC
<input type="checkbox"/>	121FD44		12" (Frame depth growth 13"-15")	NC	<input type="checkbox"/>	121FD50		18" (Frame depth growth 19"-20")	NC
<input type="checkbox"/>	121FD45		13" (Frame depth growth 14"-16")	NC					

Option # HCPCS Definition Price Option # HCPCS Definition Price

SEATING

Seat Sling			
<input type="checkbox"/>	121OP01	Standard Seat Sling	STD
<input type="checkbox"/>	121OP04	Omit Seat Sling (available when base is ordered with seating)	NC

Cushions			
Some limitations may exist on 2" Cushion and smaller widths			
<input type="checkbox"/>	121CU30	1" Foam Cushion	\$120.00
<input type="checkbox"/>	121CU31	2" Foam Cushion	\$120.00

JAY Cushions (Optional)			
To order any other JAY cushions on-chair, please see the JAY price list. Cushion name or part number must be filled out w/ desired width and depth			
<input type="checkbox"/>	121JC20	JAY Bundled Cushion Cushion Name or Part# Width: _____ Depth: _____	Price List

Sling and 1" Cushion Matrix																		
		Width																
		8	9	10	11	12	13	14	15	16								
Sling Depth	8																8	
	9																9	
	10																10	
	11																11	
	12																12	
	13																13	
	14																14	
	15																15	
	16																16	
17																17		
18																18		
		Width																
		8	9	10	11	12	13	14	15	16								
		1" cushion available at these sizes																
		1" cushion NOT available at these sizes																

Seat Sling to Frame Depth Matrix																			
Difference from front of frame to front of sling (inches)																			
		sling length																	
		8	9	10	11	12	13	14	15	16	17	18							
frame length	8	0																	
	9	0	0																
	10	0	0	0															
	11	1	1	1	0														
	12		2	2	1	0													
	13			3	2	1	0												
	14				3	2	1	0											
	15					3	2	1	0										
	16						2	1	0	0									
	17							1	0	0	0								
	18								0	0	0	0							

2" Cushion Matrix																		
		Width																
		8	9	10	11	12	13	14	15	16								
Sling Depth	8																8	
	9																9	
	10																10	
	11																11	
	12																12	
	13																13	
	14																14	
	15																15	
	16																16	
17																17		
18																18		
		Width																
		8	9	10	11	12	13	14	15	16								
		2" cushion available at these sizes																
		2" cushion NOT available at these sizes																

3. CASTERS/SEAT HEIGHT

Caster Wheel			
<input type="checkbox"/>	121CW30	3" Micro Light Up	NC
<input type="checkbox"/>	121CW3	4" Low Profile Polyurethane	NC
<input type="checkbox"/>	121CW31	4" Micro Light Up	\$70.00
<input type="checkbox"/>	121CW64	4" x 1.5" Aluminum Soft Roll	\$175.00
<input type="checkbox"/>	121CW5	5" Low Profile Polyurethane	NC
<input type="checkbox"/>	121CW51	5" Micro Light Up	\$85.00
<input type="checkbox"/>	121CW6	5" Soft Roll (Grey) (N/A with Frog Legs)	\$85.00
<input type="checkbox"/>	121CW7	5"x1.5" Semi Pneumatic	\$85.00
<input type="checkbox"/>	121CW66	5"x1.5" Aluminum Soft Roll	\$185.00
<input type="checkbox"/>	121CW34	6" Poly	NC
<input type="checkbox"/>	121CW35	6"x1.5" Semi Pneumatic	\$85.00

Caster Forks and Suspension			
<input type="checkbox"/>	121CF74	Carbotecture Fork	NC
<input type="checkbox"/>	121CF53	E1015 Frog Legs 0-100 lbs.	\$425.00
<input type="checkbox"/>	121CF70	E1015 Frog Legs 101 - 165 lbs.	\$425.00

FRONT SEAT HEIGHTS ARE SHOWN IN THE BOXES IN THE FRONT SEAT HEIGHTS MATRIX. DEPENDING ON CG SETTING, SEAT DEPTH, AND FRAME SIZE SOME OF THE SIZES MAY NOT BE AVAILABLE

Only avail w/ Carbotecture
Only avail w/ Frog Legs

Front Seat Heights Matrix					
		Front Caster			
Rear Wheel Size		<input type="checkbox"/> 3	<input type="checkbox"/> 4	<input type="checkbox"/> 5	<input type="checkbox"/> 6
<input type="checkbox"/> 12" <input type="checkbox"/> 16" <input type="checkbox"/> 20" <input type="checkbox"/> 22"		<input type="checkbox"/> 13.0	<input type="checkbox"/> 13.0	<input type="checkbox"/> 14.0	<input type="checkbox"/> 15.0
		<input type="checkbox"/> 13.5	<input type="checkbox"/> 13.5	<input type="checkbox"/> 14.5	<input type="checkbox"/> 15.5
		<input type="checkbox"/> 14.0	<input type="checkbox"/> 14.0	<input type="checkbox"/> 15.0	<input type="checkbox"/> 16.0
		<input type="checkbox"/> 14.5	<input type="checkbox"/> 14.5	<input type="checkbox"/> 15.5	<input type="checkbox"/> 16.5
		<input type="checkbox"/> 15.0	<input type="checkbox"/> 15.0	<input type="checkbox"/> 16.0	<input type="checkbox"/> 17.0
		<input type="checkbox"/> 15.5	<input type="checkbox"/> 15.5	<input type="checkbox"/> 16.5	<input type="checkbox"/> 17.5
		<input type="checkbox"/> 16.0	<input type="checkbox"/> 16.0	<input type="checkbox"/> 17.0	<input type="checkbox"/> 18.0
		<input type="checkbox"/> 16.5	<input type="checkbox"/> 16.5	<input type="checkbox"/> 17.5	<input type="checkbox"/> 18.5
		<input type="checkbox"/> 17.0	<input type="checkbox"/> 17.0	<input type="checkbox"/> 18.0	
		<input type="checkbox"/> 17.5	<input type="checkbox"/> 17.5		
24"			<input type="checkbox"/> 18		
				<input type="checkbox"/> 14.0	<input type="checkbox"/> 15.0
				<input type="checkbox"/> 14.5	<input type="checkbox"/> 15.5
		<input type="checkbox"/> 14.0	<input type="checkbox"/> 14.0	<input type="checkbox"/> 15.0	<input type="checkbox"/> 16.0
		<input type="checkbox"/> 14.5	<input type="checkbox"/> 14.5	<input type="checkbox"/> 15.5	<input type="checkbox"/> 16.5
		<input type="checkbox"/> 15.0	<input type="checkbox"/> 15.0	<input type="checkbox"/> 16.0	<input type="checkbox"/> 17.0
		<input type="checkbox"/> 15.5	<input type="checkbox"/> 15.5	<input type="checkbox"/> 16.5	<input type="checkbox"/> 17.5
		<input type="checkbox"/> 16.5	<input type="checkbox"/> 16.5	<input type="checkbox"/> 17.5	<input type="checkbox"/> 18.5
		<input type="checkbox"/> 17.0	<input type="checkbox"/> 17.0	<input type="checkbox"/> 18.0	
		<input type="checkbox"/> 17.5	<input type="checkbox"/> 17.5		
		<input type="checkbox"/> 18.0			

✓	Option #	HCPCS	Definition	Price	✓	Option #	HCPCS	Definition	Price
4.REAR WHEELS/SEAT HEIGHT									

Rear Wheels			
<i>5 Spoke Mag Wheels NA w/ Hub Lock. Std Mag Wheels only available with One Arm Drive. 24" wheels NA with 8" and 9" frame depths.</i>			
<input type="checkbox"/>	121RW48	12" Mag (Not available with handrims or one arm drive)	\$40.00
<input type="checkbox"/>	121RW14	16" Mag (Not available with handrims or one arm drive)	NC
<input type="checkbox"/>	121RW3	20" Mag Wheel	NC
<input type="checkbox"/>	121RW8	22" Mag Wheel	NC
<input type="checkbox"/>	121RW1	24" Mag Wheel	NC
<input type="checkbox"/>	121RW103	20" Mag Wheel 5 Spoke	NC
<input type="checkbox"/>	121RW104	22" Mag Wheel 5 Spoke	NC
<input type="checkbox"/>	121RW102	24" Mag Wheel 5 Spoke	NC
<input type="checkbox"/>	121RW74	20" Lite Spoke Wheel	NC
<input type="checkbox"/>	121RW75	22" Lite Spoke Wheel	NC
<input type="checkbox"/>	121RW76	24" Lite Spoke Wheel	NC
<input type="checkbox"/>	121RW06	22" Ultra light wt. Spoke Wheel 2.0	\$250.00
<input type="checkbox"/>	121RW10	24" Ultra light wt. Spoke Wheel 2.0	\$250.00
<input type="checkbox"/>	121RW28	22" Spinerger SPOX Black Spokes	\$795.00
<input type="checkbox"/>	121RW95	24" Spinerger SPOX Black Spokes	\$795.00
<input type="checkbox"/>	121RW32	22" Spinerger LX Black Spokes	\$995.00
<input type="checkbox"/>	121RW98	24" Spinerger LX Black Spokes	\$995.00

Rear Wheel Tire				
<input type="checkbox"/>	121RT3	E2218	Full Poly Tire	NC
<input type="checkbox"/>	121RT6	E2211 E2212	High Pressure Clincher	\$95.00
<input type="checkbox"/>	121RT27	E2211 E2212	Knobby V-TRAK by Kenda	\$95.00
<input type="checkbox"/>	121RT38	E2218	SHOX Performance Poly	\$95.00
<input type="checkbox"/>	121RT1	E2211 E2212	Pneumatic	NC
<input type="checkbox"/>	121RT2	E2211 E2213	Pneumatic Airless Insert	\$80.00
<input type="checkbox"/>	121RT21	E2211 E2212	Schwalbe Marathon Plus Evolution	\$125.00
<input type="checkbox"/>	121RT28	E2211 E2212	Schwalbe Speed	\$125.00
<input type="checkbox"/>	121RT4	E2218	Low Poly	NC

Handrim				
<i>Natural Fit NA w/ 20" and 22" 5 Spoke Mag Wheel</i>				
<input type="checkbox"/>	121HR1		Aluminum Anodized	NC
<input type="checkbox"/>	121HR4		Plastic Coated (N/A on Ultra and 22" Spinerger LX,SPOX)	\$95.00
<input type="checkbox"/>	121HR22		Natural Fit -Standard Grip (N/A on Ultra Lite or 20" Lite Spoke)	\$375.00
<input type="checkbox"/>	121HR23		Natural Fit - Super Grip (N/A on Ultra Lite or 20" Lite Spoke)	\$410.00
<input type="checkbox"/>	121HR30		Natural Fit LT - Standard Grip (N/A on Ultra Lite or 20" Lite Spoke)	\$375.00
<input type="checkbox"/>	121HR31		Natural Fit LT - Super Grip (N/A on Ultra Lite or 20" Lite Spoke)	\$410.00
<input type="checkbox"/>	121HR24		Spinerger Flex Rim (Only on 24" Spinerger LX)	\$525.00
<input type="checkbox"/>	121HR7		Omit Handrim (Option may not be available on all rear wheels)	NC

Axle Plate				
<input type="checkbox"/>	121AL33		Standard	NC

One Arm Drive				
<i>NA w/ 12"-16" wheels. Only avail. On 12"-16" widths and 20", 22" and 24" mag wheels.NA with Natural Fit handrims.</i>				
<input type="checkbox"/>	121AL16	E0958	One Arm Drive	\$850.00
<input type="checkbox"/>	121OA2		Standard Handrim	NC
<input type="checkbox"/>	121HM1		<input type="checkbox"/> Right Hand Mount	NC
<input type="checkbox"/>	121HM2		<input type="checkbox"/> Left Hand Mount	NC
<input type="checkbox"/>	121OA1		Small Handrim (not avail w/20" rear wheels)	NC
<input type="checkbox"/>	121HM1		<input type="checkbox"/> Right Hand Mount	NC
<input type="checkbox"/>	121HM2		<input type="checkbox"/> Left Hand Mount	NC

Axle				
<input type="checkbox"/>	121AX1		Quick Release	NC
<input type="checkbox"/>	121AX11		Quad Quick Release (Only Available with 12 and 16 Mag Wheels)	\$125.00

Tire	Wheel				
	5 Spoke Mag	Std. Mag	Lite Spoke	Ultra Light-weight	Spinerger
Full Poly Tire	20,22,24	20,22,24	20,22		
High Pressure Clincher			22,24	22,24	22,24
SHOX Performance Poly	20,22,24		20,22,24		22,24
Knobby V-TRAK			24		24
Pneumatic	20,22,24	12,16,20,22,24	20,22,24		22,24
Pneumatic Airless Insert	20,22,24	12,16,20,22,24	20,22,24		22,24
Schwalbe Marathon Plus			24	22,24	22,24
Schwalbe Speed Run			24	24	22,24
Low Poly		12	24		
22" = 489 mm 24" = 540 mm					

✓ Option # HCPCS Definition Price ✓ Option # HCPCS Definition Price

4. REAR WHEELS/SEAT HEIGHT Cont.

Center of Gravity Preset (dependent on wheels, casters & depth, From standard frame depth +2" forward and - depth growth up to -3")				
<input type="checkbox"/>	121CC28		-.5"	NC
<input type="checkbox"/>	121CC26		0 (Flush w/ backrest)	NC
<input type="checkbox"/>	121CC16		.5" Only avail 9"-18" deep	NC
<input type="checkbox"/>	121CC20		1" Only avail 10"-18" deep	NC
<input type="checkbox"/>	121CC15		1.5" Only avail 10"-18" deep	NC
<input type="checkbox"/>	121CC17		2" Only avail 16"-18" deep	NC
<input type="checkbox"/>	121CC18		2.5" Only avail 16"-18" deep	NC
Camber				
<input type="checkbox"/>	121C11		0°	NC
<input type="checkbox"/>	121C12		3° (NA w/ Single Post Ht Adj Arm)	NC

Rear Seat Height (see Allowable Squeeze chart)				
<input type="checkbox"/>	121RH32		11"	NC
<input type="checkbox"/>	121RH33		11.5"	NC
<input type="checkbox"/>	121RH9		12"	NC
<input type="checkbox"/>	121RH10		12.5"	NC
<input type="checkbox"/>	121RH11		13"	NC
<input type="checkbox"/>	121RH12		13.5"	NC
<input type="checkbox"/>	121RH13		14"	NC
<input type="checkbox"/>	121RH14		14.5"	NC
<input type="checkbox"/>	121RH15		15"	NC
<input type="checkbox"/>	121RH16		15.5"	NC
<input type="checkbox"/>	121RH17		16"	NC
<input type="checkbox"/>	121RH18		16.5"	NC
<input type="checkbox"/>	121RH19		17"	NC
<input type="checkbox"/>	121RH26		17.5"	NC
<input type="checkbox"/>	121RH20		18"	NC

Rear Wheel	Rear Seat Height														
	11	11.5	12	12.5	13	13.5	14	14.5	15	15.5	16	16.5	17	17.5	18
12 low poly															
12 pneu															
16															
20															
22															
24															
24 pneu															

When tires are not listed default to the Wheel size. All Heights are subject to vary slightly

Allowable Squeeze (may vary +/- .5")	
Frame Depth	Max Squeeze
8"-9"	1.0"
10"-12"	1.5"
13"-15"	2.0"
16"-18"	2.5"

5. WHEEL LOCK

Hub Lock				
<i>Only available with 12" or 16" mag wheels or Lite Spoke wheels. Not available with one arm drive.</i>				
<input type="checkbox"/>	121LK01		12" Hub Lock	\$100.00
<input type="checkbox"/>	121LK02		16" Hub Lock	\$100.00
<input type="checkbox"/>	121LK04		20"-24" Hub Lock Lite Spoke	\$100.00
Hub Lock Mount Position				
<i>Footlock may limit folding width.</i>				
<input type="checkbox"/>	121HH01		Footlock Mount	NC
<input type="checkbox"/>	121HH02		Seat Mount	NC
<input type="checkbox"/>	121HH03		Back Mount (back ht may be limited)	NC

Wheel Lock				
<i>NA with Hub Lock. High Mt will be mounted in low position on 12 and 16 rear wheels. Some may not be available depending on wheel size and position.</i>				
<input type="checkbox"/>	121WL1		High Mount Push	NC
<input type="checkbox"/>	121WL2		High Mount Pull	NC
<input type="checkbox"/>	121WL30		Compact	\$125.00
<input type="checkbox"/>	121WL10		Omit	NC
Extension Handle (Only avail w/ High Mount Wheel Locks)				
<input type="checkbox"/>	121EH1	E0961	6" Pair	\$75.00

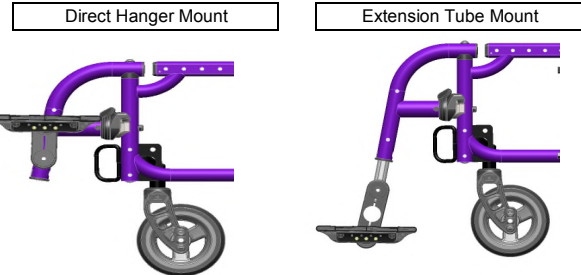
✓	Option #	HCPCS	Definition	Price	✓	Option #	HCPCS	Definition	Price
6. HANGER AND FOOTREST									

Hangers/Footrest System			
<i>NA on Fixed Frame.</i>			
<i>Some interference may exist in certain configurations.</i>			
<input type="checkbox"/>	121H162	Z-finity Hanger	STD
<input type="checkbox"/>	121H160	Elevating Hanger - Ext Mount <i>Includes ELR pad. NA w/ Z-finity.</i>	\$295.00
<input type="checkbox"/>	121H144	Omit Hanger	NC

Footrest Options				
<input type="checkbox"/>	121HL8	K0038	Leg Strap	\$35.00
<input type="checkbox"/>	121HL11	E0951	Heel Loops <i>NA on widths below 14"</i>	\$30.00
<input type="checkbox"/>	121IG2		Neoprene Impact Guards <i>NA with footrest in highest mounted position</i>	\$85.00

Z-finity Footrest Mount (Must Chose see Illustration)			
<input type="checkbox"/>	121DI22	Direct Hanger Mt/Fixed Frame - High	NC
<input type="checkbox"/>	121DI23	Direct Hanger Mt/Fixed Frame - Low	NC
<input type="checkbox"/>	121DI24	Extension Tube Mount	NC

Z-finity Footrest Pivot Arm (Must Choose, use matrix for leg length)			
<input type="checkbox"/>	121DI20	Short 2"	NC
<input type="checkbox"/>	121DI21	Long 3 1/4"	NC



Footplate				
<i>Some interference may exist in certain configurations.</i>				
<input type="checkbox"/>	121F320	K0040	Multi Angle Adjustable (Pair) <i>(not avail. w/8"-9" widths)</i>	\$185.00
<input type="checkbox"/>	121F321	K0040	Angle Adjustable Platform Footboard	\$150.00
<input type="checkbox"/>	121F6		Omit Footplate	NC

ExtensionTube Length (When Choosing Ext. Tube Mount)				
<input type="checkbox"/>	121E62	K0040	Hemi Short	NC
<input type="checkbox"/>	121E1	K0040	Short	NC
<input type="checkbox"/>	121E2	K0040	Medium	NC
<input type="checkbox"/>	121E5	K0040	Long	NC

Direct Hanger Mounted				Extension Tube Mounted			
Footrest Adaptor	Hanger Mounting Position	Min	Max	Footrest Adaptor	Extension Tube Length	Min	Max
Short	High Mount	0.5	4.5	Short	Hemi Short	5.8	14.1
	Low Mount	3.5	8.0		Short	6.5	15.1
					Medium	8.4	17
Long	High Mount	-1.0	5.5	Long	Long	10.3	19.0
	Low Mount	2.5	9.0		Hemi Short	4.6	15.3
					Short	5.2	16.3
				Medium	7.2	18.3	
				Long	9.2	20.2	

ELR Ext Mt.(MED Ext Tube)		
Pivot Arm	Min	Max
Short	7	18
Long	6	19

✓ Option # HCPCS Definition Price ✓ Option # HCPCS Definition Price

7. BACKRESTS

BACKREST			
<input type="checkbox"/>	121BT10	Standard Backrest (Angle adj/folding)	NC
<input type="checkbox"/>	121BT101	Dynamic Backrest (NA w/Fixed Back)	\$1,195.00

BACK TYPE			
<input type="checkbox"/>	121BT120	Height Adjustable (see matrix below)	NC
<input type="checkbox"/>	121BT53	Fixed Height	NC

Height Adjustable (See Backrest Height Range matrix)
 NA w/Flip-Up, Adj Locking Flip-Up and Length Adj Locking Flip-Up.
 Must choose Lower Base Tube, Backrest Style, and Upper Back Tube.

Lower Base Tube (See Backrest Height Matrix Below)			
<input type="checkbox"/>	121BP58	Short	NC
<input type="checkbox"/>	121BP59	Medium	NC
<input type="checkbox"/>	121BP60	Tall (NA with Dynamic Backrest)	NC

Backrest Styles (See Images Below)			
<input type="checkbox"/>	121PH15	Omit Back Tube	NC
<input type="checkbox"/>	121PH16	Straight Non Push Handle	NC
<input type="checkbox"/>	121PH6	Integral Push handle	NC
<input type="checkbox"/>	121PH17	Folding Push Handle with Ht. Adj. Back	\$225.00

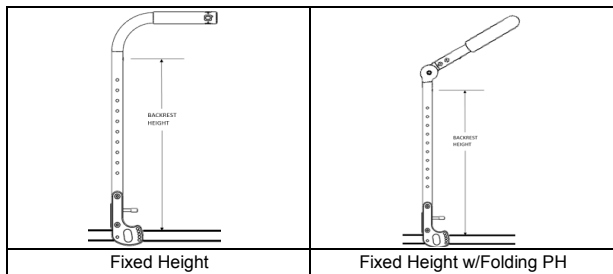
Upper Back Tube (See Backrest Height Matrix Below)			
<input type="checkbox"/>	121B245	Short	NC
<input type="checkbox"/>	121B5	Medium	NC

Fixed Height			
<input type="checkbox"/>	121BP9	Standard (16" Ht)	NC
<input type="checkbox"/>	121BP10	Medium (20" Ht)	NC
<input type="checkbox"/>	121BP11	Tall (23" Ht)	NC
<input type="checkbox"/>	121BP61	Standard w/Folding PH (16" Ht)	\$225.00
<input type="checkbox"/>	121BP62	Medium w/Folding PH (20" Ht)	\$225.00
<input type="checkbox"/>	121BP63	Tall w/Folding PH (23" Ht)	\$225.00

Back Upholstery			
Std Uph NA w/Flip-Up, Adj Locking Flip-Up and Length Adj Locking Flip-up			
<input type="checkbox"/>	121BU1	Standard Upholstery	STD
<input type="checkbox"/>	121BU71	E2611 Backrest Tension Adj 3DX Vented	\$330.00
<input type="checkbox"/>	121BU70	E2611 Backrest Tension Adj Ballistic	\$315.00
<input type="checkbox"/>	121BU66	Omit Back Upholstery	NC

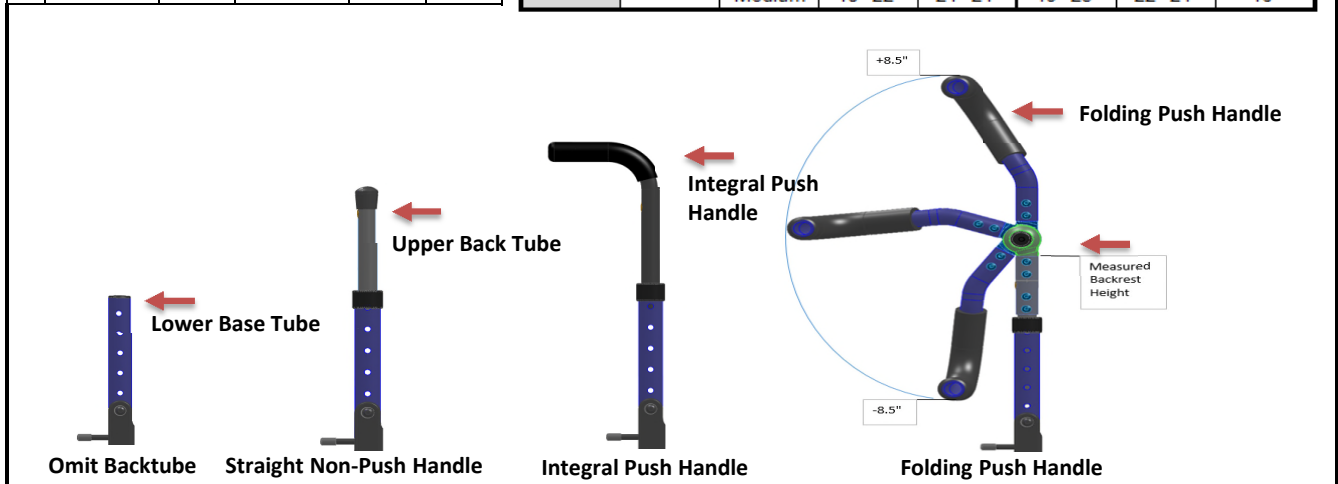
JAY Back (Optional)			
To order any other JAY back on-chair, please See the JAY Price Lst. Requires Part #			
<input type="checkbox"/>	121JB02	JAY Bundled Backrest	Price List
		Backrest Name or Part #	
		Width	Height:

Stabilizer Bar			
NA w/ Dynamic back and Fixed Back. Only available w/Integral push handle.			
<input type="checkbox"/>	121SZ1	Stabilizer Bar	\$105.00



Height Adjustable Backrest					
Preset Backheight (Choose for Set Up) No Upholstery w/ 19'-24"					
<input type="checkbox"/>	9"	<input type="checkbox"/>	15"	<input type="checkbox"/>	20"
<input type="checkbox"/>	11"	<input type="checkbox"/>	16"	<input type="checkbox"/>	21"
<input type="checkbox"/>	12"	<input type="checkbox"/>	17"	<input type="checkbox"/>	22"
<input type="checkbox"/>	13"	<input type="checkbox"/>	18"	<input type="checkbox"/>	23"
<input type="checkbox"/>	14"	<input type="checkbox"/>	19"	<input type="checkbox"/>	24"

Backrest Height Ranges							
		Upper Back Tube (Choose One)					
		push handle/non-push handle		Folding Push Handle		Omit	
		Short	Medium	Short	Medium		
Lower Base Tube (Choose one)	Standard	Short	11"-15"	15"-19"	12"-16"	16"-20"	9"
		Medium	15"-19"	18"-23"	16"-20"	19"-24"	13"
		Tall	18"-22"	18"-24"	19"-23"	19"-24"	16"
Dynamic	Short	14"-18"	18"-22"	15"-19"	19"-23"	12"	
	Medium	18"-22"	21"-24"	19"-23"	22"-24"	16"	



✓	Option #	HCPCS	Definition	Price	✓	Option #	HCPCS	Definition	Price
---	----------	-------	------------	-------	---	----------	-------	------------	-------

8. ARMRESTS/SIDEGUARDS

Armrest and Armpad - Height Adjustable

<i>Flip-Up, Adj Locking Flip-Up and Length Adj Locking Flip-up N/A with Std Back Upholstery and Height Adj Back.</i>				
<input type="checkbox"/>	121AA58	E0973	T-Post X-Tall(with sideguard)	\$265.00
<input type="checkbox"/>	121AA59	E0973	T-Post 2X-Tall(with sideguard)	\$265.00
<input type="checkbox"/>	121AA3	E0973	Flip-Up	NC
<input type="checkbox"/>	121AA1	E0973	Adjustable Locking Flip-Up	\$255.00
<input type="checkbox"/>	121AA7	E0973	Length Adjust. Locking Flip-Up	\$265.00
<input type="checkbox"/>	121AA11	E0973	Single-Post Ht Adj. Std. (NA w/ 3 degree camber)	\$285.00
<input type="checkbox"/>	121AA29	E0973	Single-Post Height Adj. Low (NA w/ 3 degree camber)	\$285.00
<input type="checkbox"/>	121AA14		Omit Armrest	NC

Side Guard

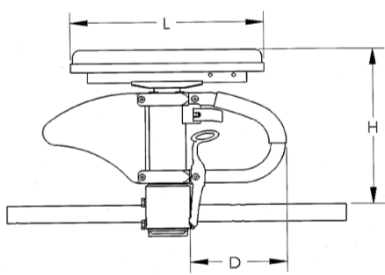
<i>Not available with height adjustable armrests and T-Posts</i>				
<input type="checkbox"/>	121SG33	K0108	Plastic Std	\$125.00
<input type="checkbox"/>	121SG29	K0108	Plastic Low	\$125.00

Armpad

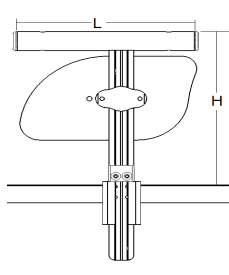
<i>NA with T-Post and Adj. Locking Flip-Up and Foam only avail with Length Adj. Locking Flip-Up.</i>				
<input type="checkbox"/>	121AM23		Desk Classic (NA w/8"-9" Depth)	NC
<input type="checkbox"/>	121AM24		Full Classic (NA w/8"-13" Depth)	NC
<input type="checkbox"/>	121AM9		Foam Short (not avail. w/T Post)	NC
<input type="checkbox"/>	121AM10		Foam Long (not avail. w/T Post)	NC

Single Post Height Adjustable Armrest

Pad	Armrest Size	Transfer Tube Length D	H Range	Pad Length L	
				Desk	Full
Classic	STD	8"	9 1/2" to 14 1/2"	10 1/4"	14"
	LOW	5 1/4"	8" to 12"		



Armrest Size	T-POST	
	H Range	Pad Length L
X-TALL	6" to 7"	7"
2X-TALL	7 1/2" to 8 1/2"	



9. ACCESSORIES

Back Pack (one Backpack Black/Charcoal already included)

<input type="checkbox"/>	121A1		Black Utility Backpack	\$55.00
<input type="checkbox"/>	121A2		Backpack Black/Charcoal Kids	\$50.00

Miscellaneous

<input type="checkbox"/>	1218A03		Caddy (<i>Only avail w/ Ext Mt hangers</i>)	\$45.00
<input type="checkbox"/>	1213A01		Tool Kit	\$45.00
<input type="checkbox"/>	121A2100	E2207	Crutch Holder	\$195.00

Positioning Belt

<input type="checkbox"/>	121A823	E0978	Belt 1" Dual Adj SQZ BLK PAD	\$85.00
<input type="checkbox"/>	121A824	E0978	Belt 2" Aircraft Buckle	\$110.00
<input type="checkbox"/>	121A825	E0978	Belt 2" Aircraft Buckle Padded	\$120.00
<input type="checkbox"/>	121A826	E0978	Belt 1.5" Auto Buckle	\$70.00
<input type="checkbox"/>	121A814	E0978	1" Comfort Fit APB5116	\$120.00

Upper Extremity Support Tray

<i>NA with 8"-9" widths</i>				
<input type="checkbox"/>	121A29	E0950	X-Small (<i>Suggested for 10"-12"</i>)	\$250.00
<input type="checkbox"/>	121A30	E0950	Small (<i>Suggested for 13"-14"</i>)	\$250.00
<input type="checkbox"/>	121A31	E0950	Medium (<i>Suggested for 15"-17"</i>)	\$250.00
<input type="checkbox"/>	121A32	E0950	Large (<i>Suggested for 18"-20"</i>)	\$250.00

Seat Pouch

<input type="checkbox"/>	1211A01		Black	\$45.00
--------------------------	---------	--	-------	---------

Anti-Tip

<input type="checkbox"/>	121AT1	E0971	Rear Anti-Tip	\$140.00
<input type="checkbox"/>	121AO1	E0971	Front Anti-Tip (Not avail. with transit opt.)	\$150.00

Spoke Guard

<i>Not available with 12" and 16" rear wheels</i>				
<input type="checkbox"/>	1214A01	K0065	Black	\$115.00
<input type="checkbox"/>	1214A02	K0065	Clear Zippie	\$115.00

Designer Spoke Guard

<i>Only available with 22" or 24" Spoke rear wheels</i>				
<input type="checkbox"/>	1214A10	K0065	Basketball	\$130.00
<input type="checkbox"/>	1214A11	K0065	Chrome Wheels	\$130.00
<input type="checkbox"/>	1214A12	K0065	Graffiti	\$130.00
<input type="checkbox"/>	1214A13	K0065	Happy Lions	\$130.00
<input type="checkbox"/>	1214A14	K0065	Hot Wheels	\$130.00
<input type="checkbox"/>	1214A15	K0065	Mice n Cheese	\$130.00
<input type="checkbox"/>	1214A16	K0065	Princess	\$130.00
<input type="checkbox"/>	1214A17	K0065	Space Galactica	\$130.00
<input type="checkbox"/>	1214A18	K0065	Super Hero	\$130.00
<input type="checkbox"/>	1214A19	K0065	Zebra	\$130.00

10.COLOR (Standard with frame and cross brace color choices)

Frame Color (Must choose)			
Standard Colors			
<input type="checkbox"/>	121C140	Aztec Gold	NC
<input type="checkbox"/>	121C2	Black (Not avail as base w/Zebra)	NC
<input type="checkbox"/>	121C141	Black Cherry	NC
<input type="checkbox"/>	121C10	Black Opal	NC
<input type="checkbox"/>	121C38	Blue Opal	NC
<input type="checkbox"/>	121C36	Candy Blue	NC
<input type="checkbox"/>	121C14	Candy Purple	NC
<input type="checkbox"/>	121C35	Candy Red	NC
<input type="checkbox"/>	121C142	Electric Blue	NC
<input type="checkbox"/>	121C143	Evergreen	NC
<input type="checkbox"/>	121C126	Glow	NC
<input type="checkbox"/>	121C144	Green Apple	NC
<input type="checkbox"/>	121C147	Hot Sparkle Pink	NC
<input type="checkbox"/>	121C148	Mauve Pink	NC
<input type="checkbox"/>	121C103	Rootbeer	NC
<input type="checkbox"/>	121C114	Sparkle Silver	NC
<input type="checkbox"/>	121C145	Sunrise Orange	NC
<input type="checkbox"/>	121C113	Titanium Color Paint	NC
<input type="checkbox"/>	121C8	Yellow	NC
Standard Matte Colors			
<input type="checkbox"/>	121C116	Matte Black	NC
<input type="checkbox"/>	121C151	Matte Black Cherry	NC
<input type="checkbox"/>	121C152	Matte Purple	NC
<input type="checkbox"/>	121C150	Matte Electric Blue	NC
<input type="checkbox"/>	121C149	Matte Evergreen	NC
Custom Colors (Must choose cross brace std color)			
<input type="checkbox"/>	121C43	Mossy Oak Camouflage	\$295.00
<input type="checkbox"/>	121C42	Stars and Stripes	\$295.00
<input type="checkbox"/>	121C108	Zebra (Choose base color above: White Std, n/a black)	\$295.00

Cross Brace Color			
Standard Colors			
<input type="checkbox"/>	121C600	Aztec Gold - Cross Brace	NC
<input type="checkbox"/>	121C601	Black - Cross Brace	NC
<input type="checkbox"/>	121C602	Black Cherry - Cross Brace	NC
<input type="checkbox"/>	121C603	Black Opal - Cross Brace	NC
<input type="checkbox"/>	121C604	Blue Opal - Cross Brace	NC
<input type="checkbox"/>	121C605	Candy Blue - Cross Brace	NC
<input type="checkbox"/>	121C606	Candy Purple - Cross Brace	NC
<input type="checkbox"/>	121C607	Candy Red - Cross Brace	NC
<input type="checkbox"/>	121C608	Electric Blue - Cross Brace	NC
<input type="checkbox"/>	121C609	Evergreen - Cross Brace	NC
<input type="checkbox"/>	121C610	Glow - Cross Brace	NC
<input type="checkbox"/>	121C611	Green Apple - Cross Brace	NC
<input type="checkbox"/>	121C612	Hot Sparkle Pink - Cross Brace	NC
<input type="checkbox"/>	121C613	Mauve Pink - Cross Brace	NC
<input type="checkbox"/>	121C614	Rootbeer - Cross Brace	NC
<input type="checkbox"/>	121C615	Sparkle Silver - Cross Brace	NC
<input type="checkbox"/>	121C616	Sunrise Orange - Cross Brace	NC
<input type="checkbox"/>	121C617	Titanium Color Paint - Cross Brace	NC
<input type="checkbox"/>	121C618	Yellow - Cross Brace	NC
Standard Matte Colors			
<input type="checkbox"/>	121C619	Matte Black - Cross Brace	NC
<input type="checkbox"/>	121C620	Matte Black Cherry - Cross Brace	NC
<input type="checkbox"/>	121C621	Matte Purple - Cross Brace	NC
<input type="checkbox"/>	121C622	Matte Electric Blue - Cross Brace	NC
<input type="checkbox"/>	121C623	Matte Evergreen - Cross Brace	NC

Additional Options Through Built for Me

To inquire about any unique customization for Quikie products, contact: Phone: (800) 333 - 4000, Fax: (800) 333 9011

