



Zippie IRIS SE
January 2014
 EIZ5A

| | |
|---|---|
| Date: _____ Dealer Acct #: _____ Dealer: _____ Dealer Contact: _____ Dealer Address: _____ Dealer City: _____ ST: _____ ZIP: _____ Dealer Phone: () _____ Fax: () _____ Confirm Via: <input type="checkbox"/> Fax <input type="checkbox"/> Email | SUBMITTING FOR: <input type="checkbox"/> Quote <input type="checkbox"/> Order PO#: _____ Ship To: _____ Attention: _____ Address: _____ Address: _____ Ship To City: _____ ST: _____ ZIP: _____ Ship To Phone: () _____ Fax: () _____ |
|---|---|

Mark For: _____

The HCPCS CODES provided are based on code verification through PDAC or our interpretation of the code definitions. The use of HCPCS CODES does not ensure coverage or payment. For coverage information, verify the appropriate payer's coverage policy.

| ✓ | Option # | HCPCS | Definition | Price | ✓ | Option # | HCPCS | Definition | Price |
|---|----------|-------|------------|-------|---|----------|-------|------------|-------|
|---|----------|-------|------------|-------|---|----------|-------|------------|-------|

ZIPPIE IRIS SE

| | | | | |
|--------------------------|---------|-------|--------------------------|------------|
| <input type="checkbox"/> | 188WM69 | E1233 | Std. Base and Seat Frame | \$2,550.00 |
|--------------------------|---------|-------|--------------------------|------------|

1. FRAME STYLE

| | | | | | | | | | |
|--------------------------|---------|--|---|-----|--------------------------|---------|--|--|----------|
| <input type="checkbox"/> | 188FT46 | | Contracture Seat Frame (Not Avail. w/10" Frame Depth) | N/C | <input type="checkbox"/> | 188FS29 | | Battery Tray (Not avail. w/ 10" & 11" frame widths or foot wheel lock) | \$295.00 |
|--------------------------|---------|--|---|-----|--------------------------|---------|--|--|----------|

2. TRANSIT SYSTEM **UPDATED**

| | | | | |
|--------------------------|---------|--|------------------|----------|
| <input type="checkbox"/> | 188TO34 | | Transit Optional | \$250.00 |
|--------------------------|---------|--|------------------|----------|

3. TILT RELEASE OPTIONS

| | | | | | | | | | |
|--------------------------|--------|--|---|----|--------------------------|---------|--|----------------------------|----|
| <input type="checkbox"/> | 188TT8 | | Foot Release - No Cables (Not Avail. w/ Vent and Battery Tray) <input type="checkbox"/> Left <input type="checkbox"/> Right (facing from rear) | NC | <input type="checkbox"/> | 188TT12 | | Dual Trigger Cable Release | NC |
|--------------------------|--------|--|---|----|--------------------------|---------|--|----------------------------|----|

4. PRE-SET TILT ANGLE

| 55° Range (Not Available with Reclining Backrest) | | | | |
|--|--------|--|--|-----|
| <input type="checkbox"/> | 188TA5 | | -5° to 50° (Not available. with 12.5" STFH.) | NC |
| <input type="checkbox"/> | 188TA6 | | 0° to 55° | STD |
| <input type="checkbox"/> | 188TA7 | | +5° to 60° | NC |

| 40° Range | | | | |
|--------------------------|---------|--|---|-----|
| <input type="checkbox"/> | 188TA8 | | -5° to 35° (Not available with 12.5" STFH.) | NC |
| <input type="checkbox"/> | 188TA9 | | 0° to 40° | STD |
| <input type="checkbox"/> | 188TA10 | | +5° to 45° | NC |

Mark For: _____

The **HCPCS CODES** provided are based on code verification through PDAC or our interpretation of the code definitions.
 The use of **HCPCS CODES** does not ensure coverage or payment. For coverage information, verify the appropriate payer's coverage policy.

| ✓ | Option # | HCPCS | Definition | Price | ✓ | Option # | HCPCS | Definition | Price |
|---|----------|-------|------------|-------|---|----------|-------|------------|-------|
|---|----------|-------|------------|-------|---|----------|-------|------------|-------|

5. FRAME COLOR NEW!

| Standard Colors | | | |
|--------------------------|---------|-----------------------------------|----|
| <input type="checkbox"/> | 188C140 | Aztec Gold | NC |
| <input type="checkbox"/> | 188C2 | Black (Not avail as base w/Zebra) | NC |
| <input type="checkbox"/> | 188C141 | Black Cherry | NC |
| <input type="checkbox"/> | 188C10 | Black Opal | NC |
| <input type="checkbox"/> | 188C38 | Blue Opal | NC |
| <input type="checkbox"/> | 188C36 | Candy Blue | NC |
| <input type="checkbox"/> | 188C14 | Candy Purple | NC |
| <input type="checkbox"/> | 188C35 | Candy Red | NC |
| <input type="checkbox"/> | 188C142 | Electric Blue | NC |
| <input type="checkbox"/> | 188C143 | Evergreen | NC |
| <input type="checkbox"/> | 188C126 | Glow | NC |
| <input type="checkbox"/> | 188C144 | Green Apple | NC |
| <input type="checkbox"/> | 188C147 | Hot Sparkle Pink | NC |
| <input type="checkbox"/> | 188C148 | Mauve Pink | NC |

| | | | |
|--------------------------|---------|----------------------|----|
| <input type="checkbox"/> | 188C103 | Rootbeer | NC |
| <input type="checkbox"/> | 188C114 | Sparkle Silver | NC |
| <input type="checkbox"/> | 188C145 | Sunrise Orange | NC |
| <input type="checkbox"/> | 188C113 | Titanium Color Paint | NC |
| <input type="checkbox"/> | 188C8 | Yellow | NC |

| Standard Matte Colors | | | |
|--------------------------|---------|---------------------|----|
| <input type="checkbox"/> | 188C116 | Matte Black | NC |
| <input type="checkbox"/> | 188C151 | Matte Black Cherry | NC |
| <input type="checkbox"/> | 188C152 | Matte Purple | NC |
| <input type="checkbox"/> | 188C150 | Matte Electric Blue | NC |
| <input type="checkbox"/> | 188C149 | Matte Evergreen | NC |

| Custom Colors | | | |
|--------------------------|---------|--|----------|
| <input type="checkbox"/> | 188C43 | Mossy Oak Camouflage | \$295.00 |
| <input type="checkbox"/> | 188C42 | Stars and Stripes | \$295.00 |
| <input type="checkbox"/> | 188C108 | Zebra (Choose base color above: White Std, n/a black) | \$295.00 |

6. FRAME WIDTH

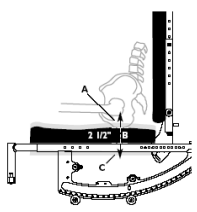
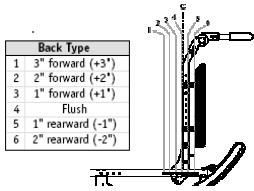
| | | | |
|--------------------------|-------|-----|-----|
| <input type="checkbox"/> | 188W1 | 10" | NC |
| <input type="checkbox"/> | 188W2 | 11" | NC |
| <input type="checkbox"/> | 188W3 | 12" | NC |
| <input type="checkbox"/> | 188W4 | 13" | NC |
| <input type="checkbox"/> | 188W5 | 14" | STD |

| | | | |
|--------------------------|-------|-----|----|
| <input type="checkbox"/> | 188W6 | 15" | NC |
| <input type="checkbox"/> | 188W7 | 16" | NC |
| <input type="checkbox"/> | 188W8 | 17" | NC |
| <input type="checkbox"/> | 188W9 | 18" | NC |

7. FRAME DEPTH

(Choose Selections from A OR B)

| Selection A: Frame Depth Set up By Zippie | |
|---|---|
| Desired Seat Depth | |
| <input type="checkbox"/> 10" | <input type="checkbox"/> 11" <input type="checkbox"/> 12" <input type="checkbox"/> 13" <input type="checkbox"/> 14" |
| <input type="checkbox"/> 15" | <input type="checkbox"/> 16" <input type="checkbox"/> 17" <input type="checkbox"/> 18" |
| Back Type | |
| <input type="checkbox"/> 3" | <input type="checkbox"/> 2" <input type="checkbox"/> 1" |
| <input type="checkbox"/> Flush | <input type="checkbox"/> -1" <input type="checkbox"/> -2" |
| This section determines frame length | |
| Top of Cushion to Seat Rail | |
| <input type="checkbox"/> 2 1/2" or Greater | |
| <input type="checkbox"/> Less than 2 1/2" (STD) | |
| <input type="checkbox"/> Below Seat Rail | |



| Selection B: Frame Depth Range | | | |
|--------------------------------|---------|--|----|
| <input type="checkbox"/> | 188SN01 | Short Seat Frame 10"-14" | NC |
| <input type="checkbox"/> | 188SN02 | Medium Seat Frame 12"-16" | NC |
| <input type="checkbox"/> | 188SN03 | Long Seat Fram 14"-18" | NC |
| Selection B: Frame Depth | | | |
| <input type="checkbox"/> | 188FD1 | 10" recommended w/ Short Seat Frame. Not avail. with Contracture Footrest System | NC |
| <input type="checkbox"/> | 188FD2 | 11" recommended w/ Short Seat Frame. | NC |
| <input type="checkbox"/> | 188FD3 | 12" rec. w/ Short Seat Frame | NC |
| <input type="checkbox"/> | 188FD4 | 13" rec. w/ Med. Seat Frame | NC |
| <input type="checkbox"/> | 188FD5 | 14" rec. w/ Med. Seat Frame | NC |
| <input type="checkbox"/> | 188FD6 | 15" rec. w/ Med. Seat Frame | NC |
| <input type="checkbox"/> | 188FD7 | 16" rec. w/ Long Seat Frame | NC |
| <input type="checkbox"/> | 188FD8 | 17" rec. w/ Long Seat Frame | NC |
| <input type="checkbox"/> | 188FD9 | 18" rec. w/ Long Seat Frame | NC |

Mark For: _____

The **HCPCS CODES** provided are based on code verification through PDAC or our interpretation of the code definitions.
The use of **HCPCS CODES** does not ensure coverage or payment. For coverage information, verify the appropriate payer's coverage policy.

| ✓ | Option # | HCPCS | Definition | Price | ✓ | Option # | HCPCS | Definition | Price |
|---|----------|-------|------------|-------|---|----------|-------|------------|-------|
|---|----------|-------|------------|-------|---|----------|-------|------------|-------|

8. SEATING

| Seats UPDATED | | | | |
|--------------------------|---------|-------|------------------------------|----------|
| <input type="checkbox"/> | 188ST35 | E2231 | Seat Pan-Growable (Fig. 8.1) | \$150.00 |
| <input type="checkbox"/> | 188ST36 | E2231 | Drop Seat Pan | \$150.00 |
| <input type="checkbox"/> | 188ST54 | | Omit Seat Pan | Std |

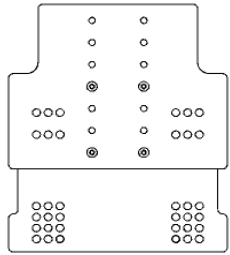
| REFERENCE ONLY | | |
|----------------|-------------------|---|
| Seat Pan Size | Dim A Range |  |
| 10" - 16" | 11-1/4" - 15-1/4" | |
| 14" - 18" | 15" - 19" | |

Figure 8.1 - Frame Depth Growth Range Matrix

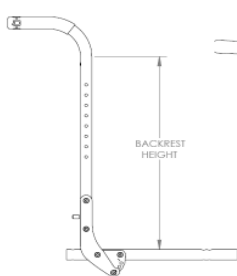
JAY Cushions (Optional)

To order any JAY cushions on-chair, please see the JAY price list. Cushion name or part number must be filled out with desired width and depth.

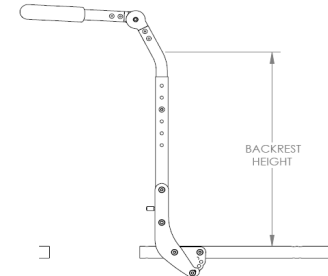
| JAY Bundled Cushion | | | Price List |
|--------------------------|---------|---------------------------|------------|
| <input type="checkbox"/> | 188JC20 | Name / Part # | |
| | | Width: _____ Depth: _____ | |

9. STROLLER HANDLE BACK POSTS - BACK RESTS

| Fixed Height | | | |
|--------------------------|---------|------------------------------|----------|
| <input type="checkbox"/> | 188BP9 | Low (19" Ht) | NC |
| <input type="checkbox"/> | 188BP10 | Medium (22" Ht) | NC |
| <input type="checkbox"/> | 188BP11 | Tall (25" Ht) | NC |
| <input type="checkbox"/> | 188BP13 | Removable Extension | \$85.00 |
| <input type="checkbox"/> | 188RG1 | Folding Adjustable Rigidizer | \$175.00 |



Reclining/Fixed Handle Ht. Diagram



Height Adj. Handle Height Diagram

| Height Adjustable | | | |
|--|---------|---|----|
| <i>Rigid Frame w/ Angle Adjust Push Handle</i> | | | |
| <input type="checkbox"/> | 188B170 | Std. (16"-22" Height.) | NC |
| <input type="checkbox"/> | 188PH8 | <i>Std. Angle Adj. Push Handle Lgth</i> | NC |
| <input type="checkbox"/> | 188PH9 | <i>Long Angle Adj. Push Handle Length</i> | NC |
| <input type="checkbox"/> | 188B171 | Tall (19"-25" Height.) | NC |
| <input type="checkbox"/> | 188PH8 | <i>Std. Angle Adj. Push Handle Lgth</i> | NC |
| <input type="checkbox"/> | 188PH9 | <i>Long Angle Adj. Push Handle Length</i> | NC |

| Reclining Backrest (only available with 40° Tilt Range) | | | |
|---|--------------------------|-----------------------------|----------|
| <input type="checkbox"/> | 188BT21 | E1225 Reclining Backrest | \$850.00 |
| | <input type="checkbox"/> | 188B172 Medium (21" Height) | NC |
| | <input type="checkbox"/> | 188B173 Tall (24" Height) | NC |

NEW! **Jay Backs (Optional)**

Ordering JAYbacks on-chair, See the JAY Price List. Requires Part #

| JAY Bundled Backrest | | | Price List |
|--------------------------|---------|----------------------------|------------|
| <input type="checkbox"/> | 188JB02 | Backrest Name or Part # | |
| | | Width: _____ Height: _____ | |

10. ARMRESTS

| Armrest and Armpad - Height Adjustable | | | |
|---|---------|---|----------|
| <i>Dual Post not available with 0 - 13" deep or with 14 - 15" deep seat pan, Dual Post also not available with contracture Footrest</i> | | | |
| <input type="checkbox"/> | 188AA12 | E0973 T-Post Regular w/Foam | NC |
| <input type="checkbox"/> | 188AA13 | E0973 T-Post Tall w/Foam | NC |
| <input type="checkbox"/> | 188AA3 | E0973 Flip-Up | NC |
| <input type="checkbox"/> | 188AA1 | E0973 Adjustable Locking Flip-Up | \$250.00 |
| <input type="checkbox"/> | 188AA7 | E0973 Length Adjust. Locking Flip-Up | \$260.00 |
| <input type="checkbox"/> | 188AM23 | <i>Desk Length (10")</i> | NC |
| <input type="checkbox"/> | 188AM24 | <i>Full Length (14")</i> | NC |
| <input type="checkbox"/> | 188AM9 | <i>Foam Short (not avail. w/T Post)</i> | NC |
| <input type="checkbox"/> | 188AM10 | <i>Foam Long (not avail. w/T Post)</i> | NC |
| <input type="checkbox"/> | 188AA62 | Dual Post | NC |
| <input type="checkbox"/> | 188AA63 | E0973 Dual Post Height Adjustable | \$250.00 |
| <input type="checkbox"/> | 188AA43 | Dual Post Flip Back | \$95.00 |
| <input type="checkbox"/> | 188AA48 | E0973 Dual Post Flip Back Height Adj. | \$275.00 |

| Armrest - Height Adjustable UPDATED | | | |
|--|---------|---|----------|
| <input type="checkbox"/> | 188AA11 | E0973 Single-Post Height Adj. Std. | \$265.00 |
| <input type="checkbox"/> | 188AM23 | <i>Desk Classic</i> | NC |
| <input type="checkbox"/> | 188AM21 | <i>Desk Contour</i> | NC |
| <input type="checkbox"/> | 188AM24 | <i>Full Classic</i> | NC |
| <input type="checkbox"/> | 188AM22 | <i>Full Contour</i> | NC |
| <input type="checkbox"/> | 188AA29 | E0973 Single-Post Height Adj. Low | \$265.00 |
| <input type="checkbox"/> | 188AM23 | <i>Desk Classic</i> | NC |
| <input type="checkbox"/> | 188AM21 | <i>Desk Contour</i> | NC |
| <input type="checkbox"/> | 188AM24 | <i>Full Classic</i> | NC |
| <input type="checkbox"/> | 188AM22 | <i>Full Contour</i> | NC |

| Armrest Receiver for Height Adjustable Armrest | | | |
|--|---------|------------|----|
| <input type="checkbox"/> | 188AR17 | Low | NC |
| <input type="checkbox"/> | 188AR18 | Std | NC |

Mark For: _____

The **HCPCS CODES** provided are based on code verification through PDAC or our interpretation of the code definitions.
 The use of **HCPCS CODES** does not ensure coverage or payment. For coverage information, verify the appropriate payer's coverage policy.

| ✓ | Option # | HCPCS | Definition | Price | ✓ | Option # | HCPCS | Definition | Price |
|---|----------|-------|--------------------|-------|---|----------|--------------|------------|-------|
| | | | CLASSIC PAD | | | | | | |
| | | | H Range | | | | Pad Length L | | |
| | | | | | | | Desk | | Full |
| | STD | | 10 3/4" to 15 3/4" | | | 10 1/4" | | | 14" |
| | LOW | | 8 3/4" to 13 3/4" | | | | | | |
| | | | | | | | | | |
| | LOW | | 9" to 13" | | | | | | |
| | | | | | | | | | |
| | LOW | | 7 1/4" to 11 1/4" | | | | | | |
| | | | | | | | | | |
| | | | CONTOUR PAD | | | | | | |
| | | | H Range | | | | Pad Length L | | |
| | | | | | | | Desk | Full | |
| | STD | | 10" to 15" | | | 10 1/2" | | 14 1/4" | |
| | LOW | | 8 1/4" to 12 1/2" | | | | | | |
| | STD | | 8 1/2" to 12 1/2" | | | | | | |
| | LOW | | 6 3/4" to 10 3/4" | | | | | | |

Armrest Matrix for Single Post

11. FOOTRESTS

Hanger Mounted Footrest (Footplates Mount to Hanger Tubing)

Hanger Type

| | | | | |
|--------------------------|--------|-------|---------------------------------|----------|
| <input type="checkbox"/> | 188H89 | | 70° Swing In/Out Front Mount | NC |
| <input type="checkbox"/> | 188H90 | | 80° Swing In/Out Front Mount | NC |
| <input type="checkbox"/> | 188H91 | | 90° Swing In/Out Front Mount | NC |
| <input type="checkbox"/> | 188H9 | | 70° Hvy Dty Fnt Mount Lift-Off | NC |
| <input type="checkbox"/> | 188H10 | | 80° Hvy Dty Fnt Mount Lift-Off | NC |
| <input type="checkbox"/> | 188H11 | | 90° Hvy Dty Fnt Mount Lift-Off | NC |
| <input type="checkbox"/> | 188H23 | E0990 | 90° Elevating (n/a 10-11" wide) | \$295.00 |

Extensions (may interfere with some seat heights & casters)

| | | | | |
|--------------------------|--------|--|------------------|---------|
| <input type="checkbox"/> | 188E23 | | 2" (not mounted) | \$55.00 |
| <input type="checkbox"/> | 188E24 | | 4" (not mounted) | \$55.00 |

Footplate

| | | | | |
|--------------------------|--------|-------|---|----------|
| <input type="checkbox"/> | 188F9 | K0040 | Kids Angle Adjustable (not avail. w/17"-18" widths) | \$185.00 |
| <input type="checkbox"/> | 188F8 | K0040 | Adult Angle Adj. (Available with 17"-18" widths) | \$185.00 |
| <input type="checkbox"/> | 188F62 | K0040 | Footboard (Available with 10"-16" widths) | \$150.00 |

Ext. Tube Mounted Footrests (Footplates Mount to Ext. Tube)

Hanger Type

| | | | | |
|--------------------------|---------|-------|---|----------|
| <input type="checkbox"/> | 188H85 | | 60° Swing In/Out | NC |
| <input type="checkbox"/> | 188H86 | | 70° Swing In/Out | STD |
| <input type="checkbox"/> | 188H116 | | 80° Swing In/Out (n/a w/8" Casters) | STD |
| <input type="checkbox"/> | 188H24 | K0053 | Articulating (not avail. 10"-13") | \$350.00 |
| <input type="checkbox"/> | 188H14 | E0990 | Elevating (Not avail. w/ composite or platform footplates or < 16" width) | \$295.00 |

Extensions

| | | | | |
|--------------------------|--------|-------|--|---------|
| <input type="checkbox"/> | 188E1 | | Short (11.5" - 14") | NC |
| <input type="checkbox"/> | 188E2 | | Medium (14" - 17") Not avail. w/ Elevating Legrests | NC |
| <input type="checkbox"/> | 188E5 | | Long (17" - 19") | NC |
| <input type="checkbox"/> | 188E16 | K0037 | High Mount | \$55.00 |

Footplate

| | | | | |
|--------------------------|-------|-------|--|----------|
| <input type="checkbox"/> | 188F1 | | Composite (not avail. In 10", 11" or 12" width) | STD |
| <input type="checkbox"/> | 188F3 | K0040 | Adult Angle Adjustable (Available with 17"-18" widths) | \$185.00 |

| | | | | |
|--------------------------|--------|-------|---|----------|
| <input type="checkbox"/> | 188F4 | K0040 | Kids Angle Adjustable (not avail. w/17"-18" width) | \$185.00 |
| <input type="checkbox"/> | 188F5 | | Aluminum (Only available with elevating legrests 14"-18") | NC |
| <input type="checkbox"/> | 188F48 | K0040 | Platform Flip-Up (Avail on 60° 70° and 80° ext. mount hangers only) | \$190.00 |

Footrest Hanger Options

| | | | | |
|--------------------------|---------|-------|--|-----------|
| <input type="checkbox"/> | 188IG2 | | Neoprene Covers (Avail. on 60°/ 70°/80° ext. | \$85.00 |
| <input type="checkbox"/> | 188HL1 | E0951 | Heel Loops | \$30.00 |
| <input type="checkbox"/> | 188HL5 | K0038 | Leg Strap | \$35.00 |
| <input type="checkbox"/> | 188A54 | K0038 | Extra Single Leg Strap | \$30.00 |
| <input type="checkbox"/> | 188A110 | E0952 | Toe Loop (Only avail. w/ adult angle adjust. footplates) | \$40.00 |
| <input type="checkbox"/> | 188H32 | | Omit Hanger | (\$15.00) |
| <input type="checkbox"/> | 188F7 | | Omit Footplate and Ext. Tube | (\$15.00) |
| <input type="checkbox"/> | 188HL4 | | Omit Heel Loop | NC |
| <input type="checkbox"/> | 188HL6 | | Omit Single Leg Strap | NC |

Contracture Footrest System (CFS)

Multi-Adj. Padded Hangers & Angle Adj. Aluminum Footrests.
 Not Available with Dual Post Armrest.

| | | | | |
|--------------------------|--------------|--|-----------------------------|-----------|
| <input type="checkbox"/> | 188H26 | | Contracture Footrest System | \$325.00 |
| <input type="checkbox"/> | 188FP01 | | CFS - Center Mount | NC |
| <input type="checkbox"/> | 188FP02 | | CFS - Outside Mount | NC |
| <input type="checkbox"/> | 188E1 | | SHORT | NC |
| <input type="checkbox"/> | 188EP1 | | 10.5" Extension Height | NC |
| <input type="checkbox"/> | 188EP2 | | 11.0" Extension Height | NC |
| <input type="checkbox"/> | 188EP3 | | 11.5" Extension Height | NC |
| <input type="checkbox"/> | 188EP4 | | 12.0" Extension Height | NC |
| <input type="checkbox"/> | 188EP5 | | 12.5" Extension Height | NC |
| <input type="checkbox"/> | 188EP6 | | 13.0" Extension Height | NC |
| <input type="checkbox"/> | 188E2 | | REGULAR | NC |
| <input type="checkbox"/> | 188EP5 | | 12.5" Extension Height | NC |
| <input type="checkbox"/> | 188EP6 | | 13.0" Extension Height | NC |
| <input type="checkbox"/> | 188EP7 | | 13.5" Extension Height | NC |
| <input type="checkbox"/> | 188EP8 | | 14.0" Extension Height | NC |
| <input type="checkbox"/> | 188EP9 | | 14.5" Extension Height | NC |
| <input type="checkbox"/> | 188EP10 | | 15.0" Extension Height | NC |

Mark For: _____

The **HCPCS CODES** provided are based on code verification through PDAC or our interpretation of the code definitions.
 The use of **HCPCS CODES** does not ensure coverage or payment. For coverage information, verify the appropriate payer's coverage policy.

| ✓ | Option # | HCPCS | Definition | Price | ✓ | Option # | HCPCS | Definition | Price |
|---|----------|-------|------------|-------|---|----------|-------|------------|-------|
|---|----------|-------|------------|-------|---|----------|-------|------------|-------|

12. CASTERS

| Caster Wheel | | | | |
|--------------------------|---------|----------------|---------------------------------------|----------|
| <input type="checkbox"/> | 188CW31 | | 4" Micro Light Up | \$70.00 |
| <input type="checkbox"/> | 188CW73 | | 4" x 1.25" Semi-Pneumatic | NC |
| <input type="checkbox"/> | 188CW51 | | 5" Micro Light Up | \$85.00 |
| <input type="checkbox"/> | 188CW5 | | 5" Low-Profile Polyurethane | STD |
| <input type="checkbox"/> | 188CW7 | | 5" x 1.5" Semi-Pneumatic | \$85.00 |
| <input type="checkbox"/> | 188CW33 | E2214 E2215 | 6" Pneumatic | \$75.00 |
| <input type="checkbox"/> | 188CW34 | | 6" Polyurethane | NC |
| <input type="checkbox"/> | 188CW35 | | 6" x 1.5" Semi-Pneumatic | \$85.00 |
| <input type="checkbox"/> | 188CW21 | E2214 E2215 | 8" Pneumatic | \$75.00 |
| <input type="checkbox"/> | 188CW32 | | 8" Polyurethane | NC |
| <input type="checkbox"/> | 188CW39 | | 8" x 1.5" Semi-Pneumatic | \$85.00 |
| <input type="checkbox"/> | 188CW36 | E2214 E2215 | 8" x 2" Pneumatic | \$145.00 |
| <input type="checkbox"/> | 188CW37 | E2214 K0108 | 8" x 2" Pneumatic w/Airless Insert | \$225.00 |

| Rear Wheel Size | CASTER SIZE | | | | | |
|---|--------------------------------|-------------------------------|-------------------------------|-------------------------------|--------------------------------|-------------------------------|
| | <input type="checkbox"/> 4 | <input type="checkbox"/> 5 | <input type="checkbox"/> 6 | <input type="checkbox"/> 8x1 | <input type="checkbox"/> 8x1.5 | <input type="checkbox"/> 8x2 |
| <input type="checkbox"/> 12 | <input type="checkbox"/> 13.25 | <input type="checkbox"/> 16.0 | <input type="checkbox"/> 16.0 | | | |
| | | <input type="checkbox"/> 16.5 | <input type="checkbox"/> 16.5 | | <input type="checkbox"/> 16.5 | |
| | | <input type="checkbox"/> 17.0 | <input type="checkbox"/> 17.0 | <input type="checkbox"/> 17.0 | <input type="checkbox"/> 17.0 | <input type="checkbox"/> 17.0 |
| | | <input type="checkbox"/> 17.5 | | <input type="checkbox"/> 17.5 | <input type="checkbox"/> 17.5 | |
| <input type="checkbox"/> 12 Low Poly | | <input type="checkbox"/> 15.0 | <input type="checkbox"/> 15.0 | | | |
| | | <input type="checkbox"/> 15.5 | <input type="checkbox"/> 15.5 | | | |
| | | <input type="checkbox"/> 16.0 | <input type="checkbox"/> 16.0 | | | |
| | | <input type="checkbox"/> 16.5 | | <input type="checkbox"/> 16.5 | <input type="checkbox"/> 16.5 | <input type="checkbox"/> 16.5 |
| <input type="checkbox"/> 16 | | <input type="checkbox"/> 13.5 | | | | |
| | | <input type="checkbox"/> 14.0 | <input type="checkbox"/> 14.5 | | | |
| | | <input type="checkbox"/> 14.5 | <input type="checkbox"/> 17.0 | <input type="checkbox"/> 17.5 | <input type="checkbox"/> 17.5 | |
| | | <input type="checkbox"/> 17.5 | <input type="checkbox"/> 17.5 | <input type="checkbox"/> 18.0 | <input type="checkbox"/> 18.0 | <input type="checkbox"/> 18.0 |
| | | <input type="checkbox"/> 18.0 | <input type="checkbox"/> 18.0 | <input type="checkbox"/> 18.5 | <input type="checkbox"/> 18.5 | |
| | | <input type="checkbox"/> 18.5 | <input type="checkbox"/> 18.5 | | <input type="checkbox"/> 19.0 | <input type="checkbox"/> 19.0 |
| <input type="checkbox"/> 20 | | <input type="checkbox"/> 15.5 | <input type="checkbox"/> 16.0 | | | |
| | | <input type="checkbox"/> 16.0 | <input type="checkbox"/> 16.5 | <input type="checkbox"/> 16.5 | <input type="checkbox"/> 16.5 | <input type="checkbox"/> 16.5 |
| | | <input type="checkbox"/> 16.5 | <input type="checkbox"/> 17.0 | <input type="checkbox"/> 17.0 | <input type="checkbox"/> 17.0 | <input type="checkbox"/> 17.0 |
| <input type="checkbox"/> 22 | | <input type="checkbox"/> 17.0 | <input type="checkbox"/> 16.5 | | <input type="checkbox"/> 16.5 | |
| | | <input type="checkbox"/> 17.0 | <input type="checkbox"/> 17.0 | <input type="checkbox"/> 17.0 | <input type="checkbox"/> 17.0 | <input type="checkbox"/> 17.0 |
| | | <input type="checkbox"/> 18.0 | <input type="checkbox"/> 17.5 | <input type="checkbox"/> 17.5 | <input type="checkbox"/> 17.5 | |
| | | | <input type="checkbox"/> 18.0 | <input type="checkbox"/> 18.0 | <input type="checkbox"/> 18.0 | <input type="checkbox"/> 18.0 |
| <input type="checkbox"/> 24 | | | <input type="checkbox"/> 17.0 | | <input type="checkbox"/> 17.5 | |
| | | <input type="checkbox"/> 17.5 | <input type="checkbox"/> 17.5 | <input type="checkbox"/> 18.0 | <input type="checkbox"/> 18.0 | <input type="checkbox"/> 18.0 |
| | | <input type="checkbox"/> 18.0 | <input type="checkbox"/> 18.0 | <input type="checkbox"/> 18.0 | <input type="checkbox"/> 18.5 | |
| | | <input type="checkbox"/> 18.5 | <input type="checkbox"/> 18.5 | <input type="checkbox"/> 19.0 | <input type="checkbox"/> 19.0 | <input type="checkbox"/> 19.0 |

13. AXLES AND WHEELS

| One Arm Drive | | | | |
|--------------------------|---------|-------|---|----------|
| <input type="checkbox"/> | 188AL17 | E0958 | One Arm Drive (Avail. w/ 20", 22", 24" Mag Rear Wheels) | \$850.00 |
| <input type="checkbox"/> | 188OA2 | | Standard Handrim | NC |
| <input type="checkbox"/> | 188HM1 | | <i>Right</i> | NC |
| <input type="checkbox"/> | 188HM2 | | <i>Left</i> | NC |
| <input type="checkbox"/> | 188OA1 | | Small Handrim | NC |
| <input type="checkbox"/> | 188HM1 | | <i>Right</i> | NC |
| <input type="checkbox"/> | 188HM2 | | <i>Left</i> | NC |

| Axle | | | | |
|--------------------------|---------|--|--|---------|
| <input type="checkbox"/> | 188AX26 | | One Arm Drive Axle (Only avail. w/One Arm Drive Option) | STD |
| <input type="checkbox"/> | 188AX1 | | <i>Quick Release</i> | NC |
| <input type="checkbox"/> | 188AX11 | | Quad Quick Release (<i>not available with Lite Spokes</i>) | \$90.00 |

| Rear Wheel Size | | | | |
|--------------------------|---------|--|---------------------------------------|----------|
| <input type="checkbox"/> | 188RW13 | | 12" Mag (Not available with handrims) | STD |
| <input type="checkbox"/> | 188RW14 | | 16" Mag (Not available with handrims) | NC |
| <input type="checkbox"/> | 188RW3 | | 20" Mag | NC |
| <input type="checkbox"/> | 188RW8 | | 22" Mag | NC |
| <input type="checkbox"/> | 188RW1 | | 24" Mag | NC |
| <input type="checkbox"/> | 188RW90 | | 20" Lite Spoke | \$200.00 |
| <input type="checkbox"/> | 188RW91 | | 22" Lite Spoke | \$200.00 |
| <input type="checkbox"/> | 188RW54 | | 24" Lite Spoke | \$100.00 |

Mark For: _____

The **HCPCS CODES** provided are based on code verification through PDAC or our interpretation of the code definitions.
 The use of **HCPCS CODES** does not ensure coverage or payment. For coverage information, verify the appropriate payer's coverage policy.

| ✓ | Option # | HCPCS | Definition | Price | ✓ | Option # | HCPCS | Definition | Price |
|---|----------|-------|------------|-------|---|----------|-------|------------|-------|
|---|----------|-------|------------|-------|---|----------|-------|------------|-------|

13. AXLES AND WHEELS - CONT.

| Rear Wheel Tire | | | |
|--------------------------|--------|----------------|---|
| <input type="checkbox"/> | 188RT1 | E2211 E2212 | Pneumatic NC |
| <input type="checkbox"/> | 188RT2 | E2211 E2213 | Pneumatic Airless Insert \$80.00 |
| <input type="checkbox"/> | 188RT3 | | Full Polyurethane (Not avail.w/ 12" & 16" rear wheels) NC |
| <input type="checkbox"/> | 188RT4 | | Low Polyurethane (Only available with 12" wheels) NC |

| Handrim | | | |
|--------------------------|--------|--|--|
| <input type="checkbox"/> | 188HR1 | | Aluminum Anodized NC |
| <input type="checkbox"/> | 188HR4 | | Plastic Coated \$95.00 |
| <input type="checkbox"/> | 188HR7 | | Omit (Not available with wheel/axle credit) NC |

| Projections (Not Available on Plastic Coated) | | | |
|--|--------|--|--------------------|
| <i>Only available with 24" wheels & not available with spoke guards.</i> | | | |
| <input type="checkbox"/> | 188HR8 | | 8 Oblique \$240.00 |

| Hub Lock | | | |
|---|---------|--|-----------------------|
| <i>*Only available with 12" or 16" wheels. Not available w/one arm drive.</i> | | | |
| <input type="checkbox"/> | 188LK01 | | 12" Hub Lock \$100.00 |
| <input type="checkbox"/> | 188LK02 | | 16" Hub Lock \$100.00 |

| Wheel Lock | | | |
|------------------------------------|---------|--|--------------------|
| <i>Not available with Hub Lock</i> | | | |
| <input type="checkbox"/> | 188WL34 | | High Mount Push NC |
| <input type="checkbox"/> | 188WL36 | | Foot Lock NC |
| <input type="checkbox"/> | 188WL10 | | Omit NC |

| Extension Handle | | | |
|--------------------------|--------|-------|-----------------|
| <input type="checkbox"/> | 188EH1 | E0961 | 6" Pair \$75.00 |

| Anti-Tip | | | |
|--------------------------|--------|-------|------------------------|
| <input type="checkbox"/> | 188AT1 | E0971 | Rear Anti-Tip \$135.00 |

14. ACCESSORIES

| Back Pack (Kids Backpack included) | | | |
|--|-------|--|------------------------------------|
| <i>All Zippie chairs ship with one Kids Backpack at NC</i> | | | |
| <input type="checkbox"/> | 188A1 | | Utility Backpack - Black \$55.00 |
| <input type="checkbox"/> | 188A2 | | Additional Zippie Backpack \$50.00 |

| Seat Pouch | | | |
|--------------------------|-------|--|---------------|
| <input type="checkbox"/> | 188A8 | | Black \$45.00 |

| Miscellaneous | | | |
|--------------------------|--------|--|------------------|
| <input type="checkbox"/> | 188A83 | | Tool Kit \$45.00 |

| Positioning Belt (w/clamps) | | | |
|-----------------------------|---------|-------|--|
| <input type="checkbox"/> | 188A112 | E0978 | 1" Dual Pull Side Squeeze Padded \$85.00 |
| <input type="checkbox"/> | 188A117 | E0978 | Belt 2" Aircraft Buckle \$110.00 |
| <input type="checkbox"/> | 188A118 | E0978 | Belt 2" Aircraft Buckle Padded \$120.00 |
| <input type="checkbox"/> | 188A141 | E0978 | Belt 1.5" Auto Buckle w/Clamps \$70.00 |
| <input type="checkbox"/> | 188A814 | E0978 | 1" Comfort Fit APB5116 \$120.00 |

| Spoke Guard | | | |
|--|---------|-------|-----------------------|
| <i>(Not available with 12" & 16" rear wheels & Projections Handrims)</i> | | | |
| <input type="checkbox"/> | 188A23 | K0065 | Black \$115.00 |
| <input type="checkbox"/> | 188A303 | K0065 | Clear Zippie \$115.00 |

| Upper Extremity Support Tray | | | |
|---|--------|-------|---|
| <i>When ordering a tray with full armrest or desk armrest pads, add 1" to seat width to determine best tray size.</i> | | | |
| <input type="checkbox"/> | 188A29 | E0950 | X-Sm (Suggested 10"-12" Width) \$250.00 |
| <input type="checkbox"/> | 188A30 | E0950 | Sm (Suggested 13"-14" Width) \$250.00 |
| <input type="checkbox"/> | 188A31 | E0950 | Med (Suggested 15"-17" Width) \$250.00 |
| <input type="checkbox"/> | 188A32 | E0950 | Lrg (Suggested 18"-20" Width) \$250.00 |

| Side Guard | | | |
|---|---------|-------|----------------------|
| <i>(Not available with height adjustable armrests or T Posts)</i> | | | |
| <input type="checkbox"/> | 188SG33 | K0108 | Plastic Std \$125.00 |
| <input type="checkbox"/> | 188SG29 | K0108 | Plastic Low \$125.00 |

| Canopy (SunShade) | | | |
|--|---------|-------|--|
| <i>(Need 2" back post clearance to mount canopy hardware, may require next height based on seating; please note some interference may occur with some headrest configurations)</i> | | | |
| <input type="checkbox"/> | 1888A06 | K0108 | Canopy (Sunshade) 10"-14" Width \$275.00 |
| <input type="checkbox"/> | 1888A07 | K0108 | Canopy (Sunshade) 15"-20" Width \$275.00 |