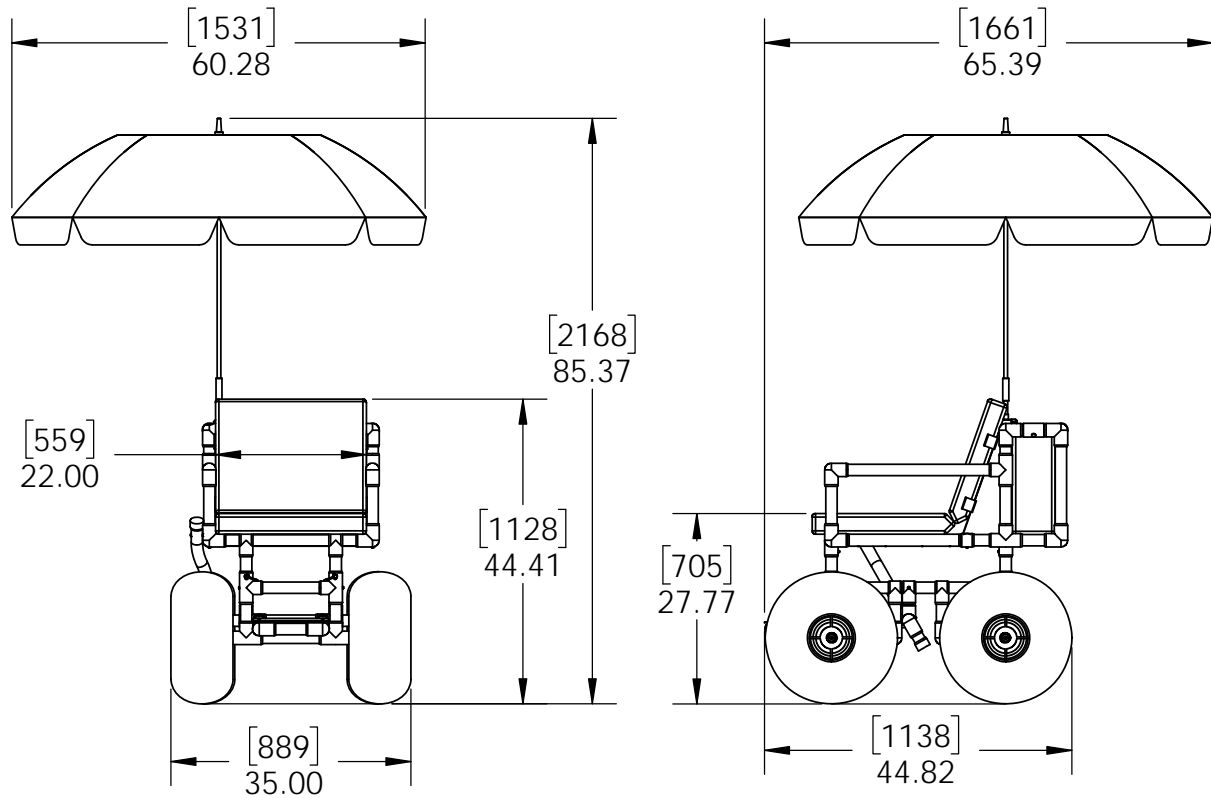
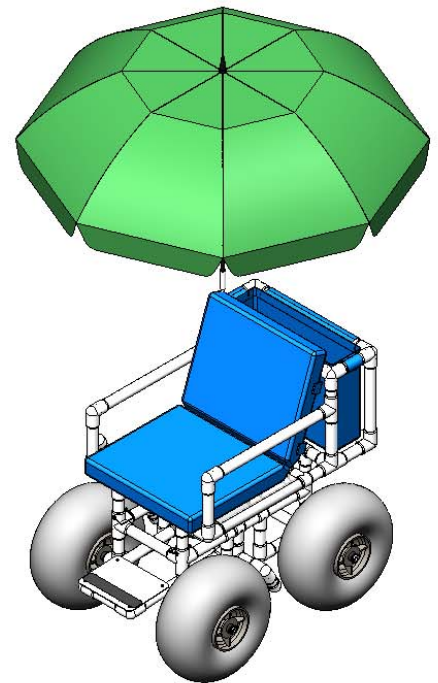


BEACH ACCESS CHAIR



SPECIFICATIONS

- Frame Material: Health care grade PVC pipe and fittings that won't rust or stain
- Weight Capacity: 300lbs [136kg]
- Tires & Wheels: (4ea) 19" Dia (49cm) gray non-corrosive Wheel-eez(tm)
- Seat: 22" wide cushioned (approx. 3"-4" thick)(blush mesh)
- Umbrella: 5' diameter (color may vary)
- Footrest: Fixed
- Dual action handle parking brake
- Rear storage bag included (blue mesh)
- Easily breaks down into smaller pieces for transport



9889 GARRYMORE LANE
 MISSOULA, MT 59808
 (406) 549-0769
 FAX (406) 549-2602

NOTE:
 *SPECIFICATIONS ARE SUBJECT TO CHANGE WITHOUT NOTICE

PRODUCT: BEACH ACCESS CHAIR	
PART #: F-6001	
SCALE: 1:28	DATE: 4/12/2017
DRAWN BY: EF	REVISION: A