

Aluminum Folding Wheelchair

OWNER'S MANUAL



Coyote



Construction



Tension-Adjustable Back

Height-Adjustable Armrest

Quick Release 24" Pneumatic Rear Wheel

Aluminum 6061 Frame

8" x 2" Front Caster

Handgrip

Nylon Seat Upholstery

Hand Brake

Single Cross Brace

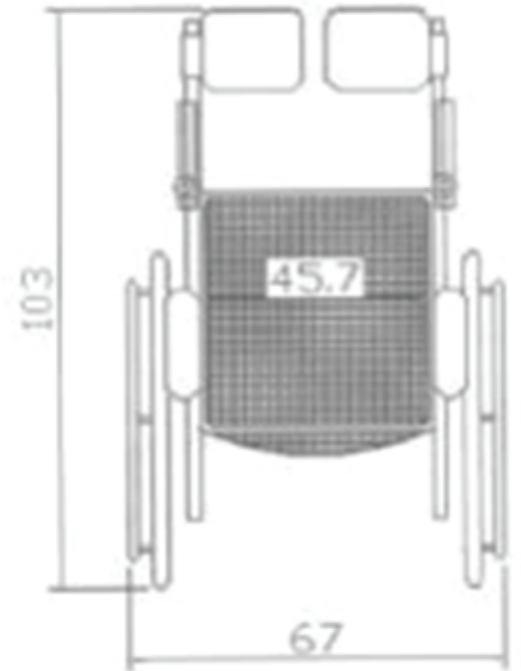
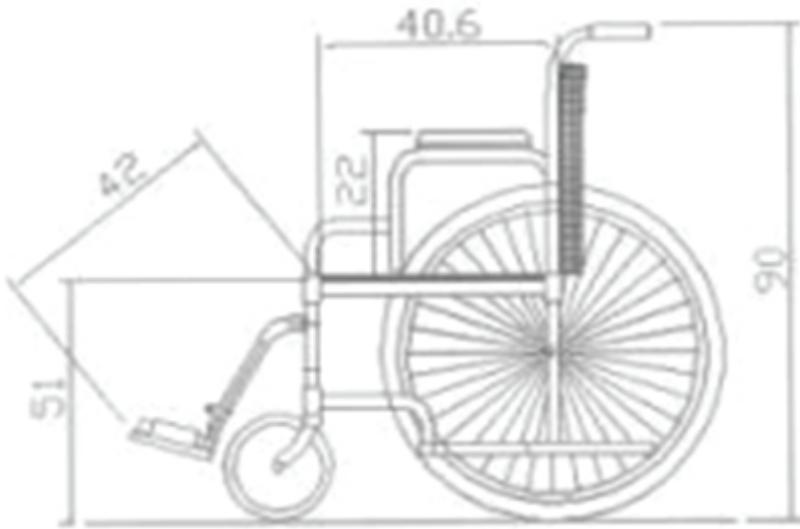
Swing-Away Footplate

Capacity: 120 kg
(max user weight)

Net Weight: 13.8 kg
(without rear wheels)

Gross Weight: 15.8 kg
(with rear wheels)

Specifications



Usage

Step 1 - Unfolding

Hold the handles with both hands to separate the frame slightly. Push down both sides of the seat upholstery to flatten lightly by hand until the wheelchair has been unfolded. (figure 1)

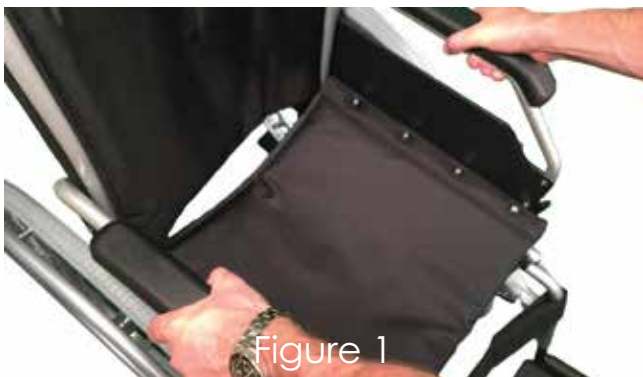


Figure 1

Step 2 - Folding

First flip up both of the footplates. Lift up both sides of the seat upholstery lightly with hands until it is folded. (figure 2)



Figure 2

Usage (cont'd)

Step 3 - Adjusting the footplates

First loosen the locknut with the spanner. Pull down the slide tube and adjust the footplate to a proper position, then lock and fix the bolts with the spanner in a clockwise direction. (figure 3)



Figure 3



Figure 4

Step 4 - Using the brakes

Hold the brake handles with both hands while the Coyote wheelchair is stopped. Push the brake handles forward to their self-locking position to prevent rear wheels from moving. (figure 4)



Figure 5

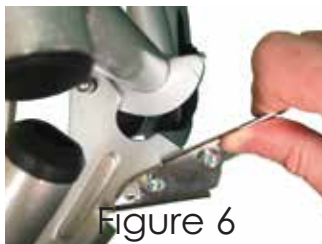


Figure 6

Step 5 - Adjusting the armrests

To adjust the height of the armrest, press the button on the outside of the armrest and move the armrest to the desired position. Once in place, release the button. (Figure 5)

Step 6 - Using the legrests

When assembling the legrest, you should first line up the positioning holes with the fixed pins. Hang the legrest and then swing the legrest inward. When detaching the legrest, first swing the legrest outward. Lift it to remove it from the fixed pins. (Figure 6)

Step 7 - Adjusting the axle

To adjust the axle, first remove the quick-release rear wheels. To adjust the axle, use a wrench to unscrew the axle nut. Once removed, you can change the height of the axle plate. You can also turn the axle plate to move the center of gravity. Both axle plates must have the exact same position before use.

Safety

Stability

The Coyote is designed to be safe and stable as long as center of gravity is maintained while going about normal activities. Care must be taken while performing activities that shift your center of gravity in the chair. Never reach so far that you need to shift in the seat or bend over out of the chair. When you reaching for objects that require you to lean, be certain front casters are pointed in a forward position that extends the wheel base and stabilizes the chair.

Ramps

Be sure of your own capabilities, limitations and strength before attempting to go up a ramp. Correct techniques on ramp navigation should be shown to you by a qualified professional. If you must stop on an incline, avoid sudden, abrupt movement when you resume movement. Backward angling of the chair or sudden abrupt movement could cause instability. Attempting to use the wheel lock brakes could result in accidental locking, tipping to one side, sudden stopping. Avoid

changing direction when going down an incline, as this could result in instability or tipping over. Never use your Coyote wheelchair on an incline steeper than 4.8°.

Care of the Wheelchair

Always ensure that your Coyote wheelchair is dry after use to prevent corrosion. It should be regularly washed using warm water and a mild detergent. Dry after washing. Between uses the Coyote can be folded for storage.

Warranty

Loh Medical offers a 12 month warranty on the frame of the Coyote. Any defective frame components will be replaced at no cost. Please contact your local Loh Medical sales rep for warranty service. For more information on your local Loh Medical sales rep, please visit

www.lohmedical.com/en/contact

The Wheelchair has been tested and certified in accordance with CE requirements and BSEN 12183.

